

Filter Self-Rescuers W 65-2, W 65 & W 95

Safe escape from underground

Filter Self-Rescuers



The MSA Filter Self-Rescuers W65-2/W65 and W 95 are Air-Purifying Respirators for one-time escape use providing protection against toxic carbon monoxide (CO) and other gases emitted in underground mine fires or explosions.

The Filter Self-Rescuer is immediately ready-for-use after opening and removal from the container. It has a Latex-free mouthpiece and nose clip to reliably protect the user from the contaminated ambient air. The adjustable head harness allows for a tight fit and hands-free usage. The sturdy stainless steel container is hermetically sealed, providing long-lasting protection for the respirator.

MSA is the most successful manufacturer of filter self-rescuers worldwide. The design and construction of the filter self-rescuer up to the present day is the fruit of the extensive experience gained through MSA's long-standing association with mine rescue worldwide.

Design & Functionality

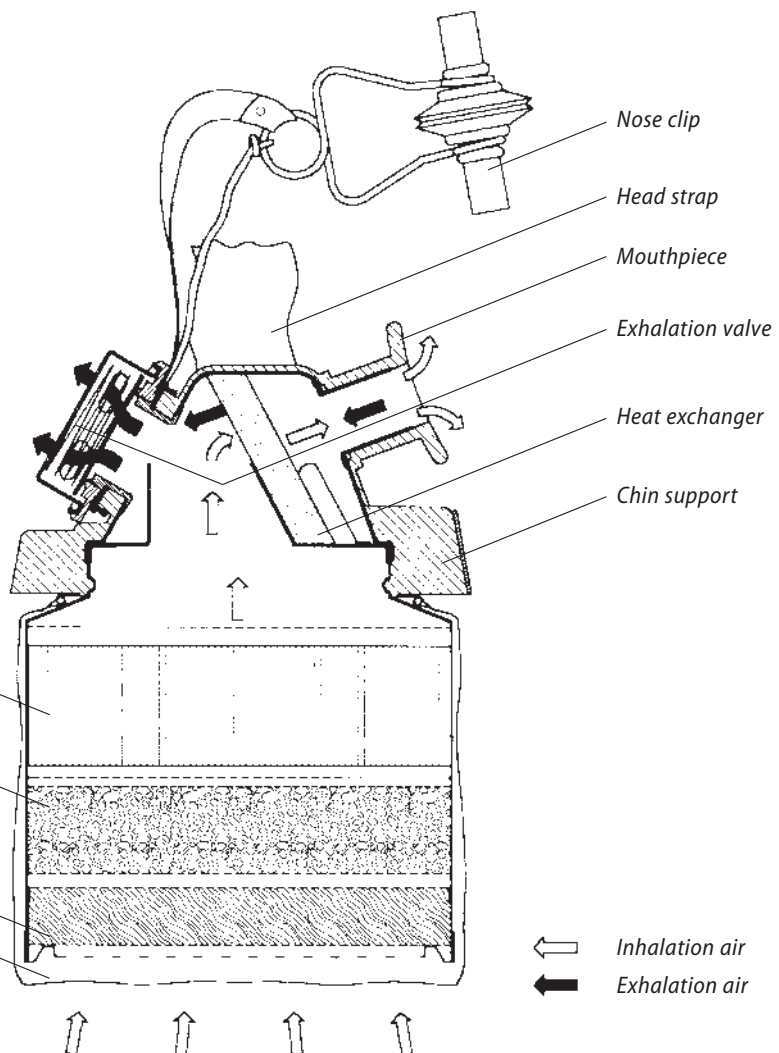
The CO-filter is an oxidation catalyst which converts the carbon monoxide to carbon dioxide. The catalytic reaction is exothermic – an integral heat exchanger reduces the inhalation air temperature to a tolerable level. The expired air is passed back through the heat exchanger and a spring-loaded exhalation valve into the ambient air.

CO catalyst
(W 65-2/W65 Hopcalite)
(W 95 Noble metal)

Charcoal dryer (W 65-2/W 65)
Hopcalite Pre-filter (W 95)

Dust filter

Mechanical filter bag



One-time escape devices

Filter Self-Rescuer W 65-2/W 65

Standard version

The W 65-2/W 65 is a standard Filter Self-Rescuer, available in shoulder carrying mode (W 65-2) or with integral belt loop (W 65/W 65-2 BL). The CO-filter uses the catalyst Hopcalite and a drying agent to retain inhalation air moisture.

Filter Self-Rescuer W 95

Version for extended escape routes

The W 95 is a Filter Self-Rescuer designed for extended escape routes, available in shoulder carrying mode (W 95) or with integral belt loop (W 95 BL). The CO-filter uses a noble metal catalyst and a Hopcalite pre-filter. This unique combination provides high breathing comfort together with reduced inhalation resistance and temperature. It has a service life of more than 4 hours.



Belt loop



Shoulder carrying mode



W 65-TR



W 95-TR

Training devices

Simple & economical training

Filter Self-Rescuer trainer versions provide simple and economical user training in a non-contaminated atmosphere. After use, they can easily be cleaned, assembled, and used again. For clear identification they are stored in blue containers.

The standard model W 65-TR simulates size, weight, donning procedure and breathing resistances.

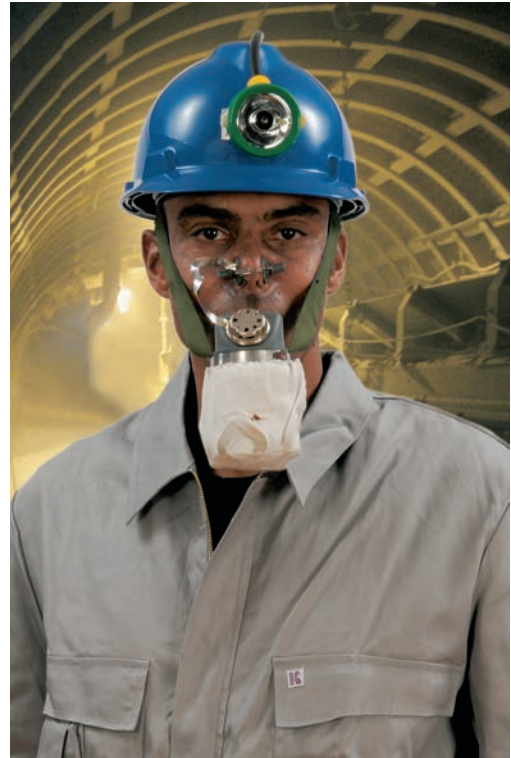
The new training device W 95-TR in addition provides inhalation air at temperatures of up to 55 °C for approx. 15 minutes. This permits the trainees to familiarize themselves with the hot dry air typical under emergency conditions. The W 95-Trainer is delivered as a "cold air" trainer with an air restrictor to simulate breathing resistance and weight. For "hot air" training the restrictor is simply replaced by the single-use hot air cartridge.

	Features	Benefits
Optimal protection	Sturdy construction	Increased safety in rough underground mining conditions
	Belt or shoulder carrying mode	Ready for immediate use
	Unique combination of noble metal catalyst & hopcalite pre-filter (W 95)	Extended service life (more than 4 hours)
	Equipped with mouthpiece & nose clip	Intuitive use
Excellent wearer comfort	Small size & low weight	Easy to carry on the job
Cost effectiveness	Rugged stainless steel container	Long life expectancy
	Sealed container	Maintenance free
	Choice of trainer versions	Simple and economical training

Technical Data

W 65-2/W 65	
Dimensions (incl. container)	W 65-2/W 65-TR: H 160 x W 100 x D 80 mm W 65-2 BL: H 160 x W 100 x D 85 mm W 65: H 100 x W 100 x D 80 mm
Weight	Approx. 1200 g (incl. container) Approx. 800 g (ready-for-use)
Service life	W 65-2: Approx. 120 min (one-time use) W 65: Approx. 60 min (one-time use)
Carrying mode	With shoulder strap (accessory) Belt-worn (W 65-2 BL)
Approvals	EN 404 (FSR 4BR) AS/NZS 1716:2003 (W 65)

W 95	
Dimensions (incl. container)	W 95-2/W 95-TR: H 140 x W 100 x D 80 mm W 95-2 BL: H 140 x W 100 x D 85 mm
Weight	Approx. 900 g (incl. container) Approx. 520 g (ready-for-use)
Service life	Approx. 240 min (one-time use)
Carrying mode	With shoulder strap (accessory) Belt-worn (W 95 BL)
Approvals	EN 404 (FSR 4BR)



Ordering Information

W 65-2/W 65	
D1035701	Filter Self-Rescuer W 65-2
10064638	Filter Self-Rescuer W 65-2 BL
D1038940	Training Filter Self-Rescuer W 65-TR
D1090701	Filter Self-Rescuer W 65 (Australian version)
W 95-2	
D1034700	Filter Self-Rescuer W 95
10014932	Filter Self-Rescuer W 95-BL
10093152	Training Filter Self-Rescuer W 95-TR
Accessories	
D1014903	Shoulder carrying strap
10093137	Hot air cartridge for W 95-TR, 6 pcs.

BL: With belt loop



Your direct contact

MSA EUROPE Regional Head Offices & Great Britain (www.msa-europe.com)

Northern Europe
MSA Nederland B.V., Hoorn
Phone +31 (229) 25 03 03
E-Mail info@msaned.nl

Central Europe
MSA AUER GmbH, Berlin
Phone +49 (30) 68 86-0
E-Mail info@auer.de

Eastern Europe
MSA Safety Sp. z o.o., Warsaw
Phone +48 (22) 711-50 33
E-Mail mee@msa-europe.com

Southern Europe
MSA GALLET, Châtillon sur Chalaronne
Phone +33 (474) 55 01 55
E-Mail message@msa-gallet.fr

International Sales
MSA EUROPE, Berlin
Phone +49 (30) 68 86-555
E-Mail contact@msa-europe.com

Great Britain
MSA (Britain) Limited, Bellshill
Phone +44 (16 98) 57 33 57
E-Mail info@msabritain.co.uk

Subject to change without notice

ID 10-300.2 GB/00/N/01/07

MSA
The Safety Company