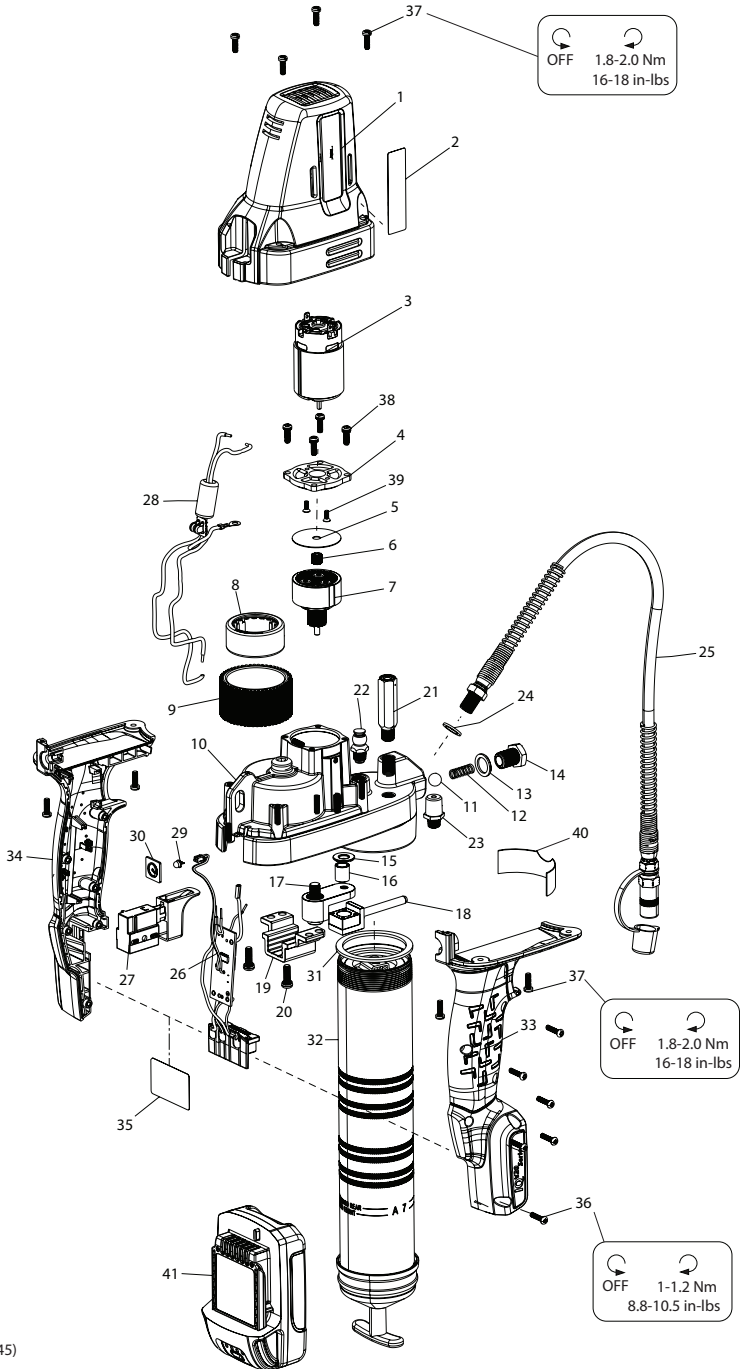


# LUB5130 Cordless Grease Gun - Exploded View



(Dwg. 47503145)

## LUB5130 Cordless Grease Gun - Parts List

Item	Part Description	Part Number	(CCN)	Item	Part Description	Part Number	(CCN)
*	Motor Housing Kit	LUB5130-K40M	(47506785001)	26	PCB Assembly	---	---
1	Housing, Motor	---	---	27	Switch	---	---
2	Warning Label	---	---	28	Ferrite Assembly	---	---
37	Screw, Pump Housing (4)	---	---	29	LED	LUB5130-K498	(47510849001)
*	Electric Motor Kit	LUB5130-K54	(47507234001)	30	Lens, LED	LUB5130-K1010	(47512205001)
3	Motor	---	---	31	Gasket, Canister	LUB5130-K283	(47510850)
4	Adaptor Plate, Motor	---	---	32	Canister	LUB5130-K809	(47510851001)
38	Screw, Motor Adapter Plate (4)	---	---	*	Handle Housing Kit	LUB5130-K40	(47506785001)
39	Screw, Motor (2)	---	---	33	Housing, Right Handle	---	---
*	Pump Housing Kit	LUB5130-K727	(47507236001)	34	Housing, Left Handle	---	---
5	Washer, Motor	---	---	35	Information Label	---	---
6	Pinion	---	---	36	Screw, Handle Housing (6)	---	---
7	Gear Assembly	---	---	37	Screw, Pump Housing (4)	---	---
8	Bearing	---	---	*	Screw Kit	LUB5130-K68	(47507239001)
9	Spur Gear	---	---	37	Screw, Pump Housing (8)	---	---
10	Housing, Pump	---	---	38	Screw, Motor Adapter Plate (4)	---	---
11	Ball	---	---	39	Screw, Motor (2)	---	---
12	Spring	---	---	36	Screw, Handle Housing (6)	---	---
13	Gasket	---	---	41	Battery (1.5 Ah)	BL2005	(48386783)
14	Plug	---	---	*	Battery (2.5 Ah)	BL2012	(47515903001)
15	Wave Washer Assembly	---	---	*	Battery (3.0 Ah)	BL2010	(48386791)
16	Bushing	---	---	*	Battery (5.0 Ah)	BL2022	(47515902001)
17	Crank Assembly	---	---	*	Label Kit	LUB5130-K99	(47507240001)
18	Slide Block Assembly	---	---	*	Protective Battery Boot		
19	Slide Block Holder	---	---		For BL2005, BL2012	BL2005-BOOT	(47510965001)
20	Screw, Slide Block	---	---		For BL2010, BL2022	BL2010-BOOT	(47510964001)
21	Pressure Relief Valve	LUB5130-K526	(47510844001)	*	Battery Charger	BC1121	(47507879001)
40	Warning Label, Injection Hazard	---	---	2	Warning Label	---	---
22	Valve, Bleed	LUB5130-K359	(47510845001)	35	Information Label	---	---
23	Valve, Fill	LUB5130-K159	(47510846001)	40	Warning Label, Injection Hazard	---	---
24	Gasket, Hose	LUB5130-K223	(47510847001)	*	Carrying Case	LUB5000-CASE	(47504239001)
25	Hose	LUB5130-K873	(47510848001)	*	Case Latch	W7000-LATCH	(47507275001)
*	Switch Kit	LUB5130-K93	(47507237001)				

\* Not illustrated

## Parts and Maintenance

When tool life has expired, it is recommended that the tool be disassembled, degreased and parts separated by material for proper recycling.

Tool repair and maintenance should only be carried out by an authorized Service Center.

Refer all communications to the nearest **Ingersoll Rand** office or distributor.

## Related Documentation

Manuals can be downloaded from [ingersollrandproducts.com](http://ingersollrandproducts.com)

For additional information, refer to:

Cordless Grease Gun Product Safety Information Manual 47505746.

Cordless Grease Gun Product Information Manual 47505747.



ingersollrandproducts.com  
© 2015 Ingersoll Rand

**47506158001**  
Edition 2  
January 2015