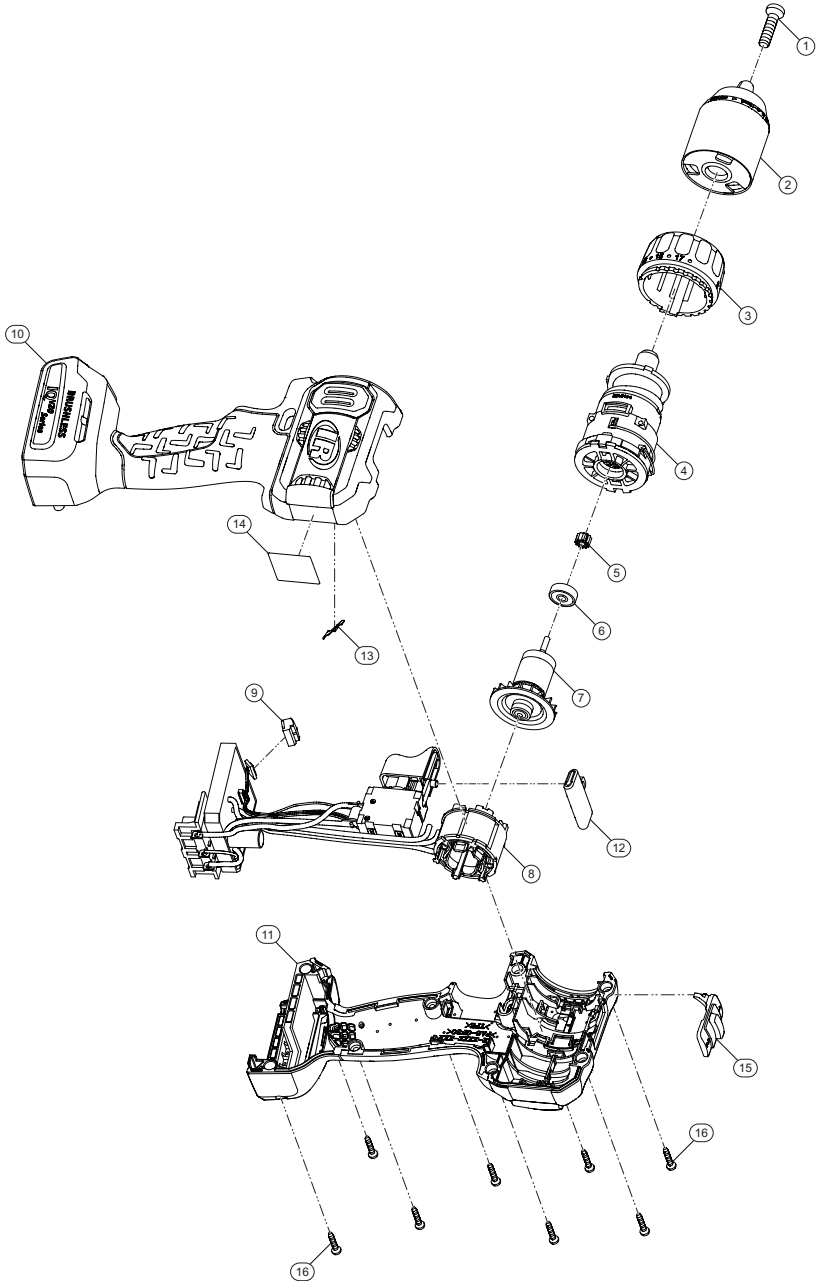


D3141, Cordless Drill/Driver - Exploded View



(Dwg. TL-D3100-PLM-1)



D3141, Cordless Drill/Driver - Parts List

Item	Part Description	Part Number
*	Chuck Kit	TK-D3141-255
1	Screw, Chuck	---
2	Chuck	---
*	Torque Selector and Gearbox Assembly	TK-D3141-750
3	Torque Selector	---
4	Gearbox Assembly	---
*	Motor Rotor Assembly	TK-D3141-053
5	Pinion	---
6	Bearing	---
7	Rotor Assembly	---
*	Stator-Switch and LED Kit	TK-D3141-093
8	Stator-Switch and LED Assembly	---
9	LED Cover	---
*	Housing Kit	TK-D3141-040
10	Left Housing	---
11	Right Housing	---
12	F/R Actuator	---
13	Detent	---
14	Warning Label	---
15	Speed Selector	TK-D3141-249
*	Fastener Kit	TK-D3141-K105
16	Screw (8 required)	---
*	20V Li-ion Battery Pack (IQV20 Series batteries)	
	2.5Ah	BL2012
	2.8Ah	BL2013
	5.0Ah	BL2022
	5.6Ah	BL2023
*	Battery Charger	
	Battery Charger, Single Bay	BC1121
	Battery Charger, Dual Bay	BC1221

* Indicates not illustrated.

Parts and Maintenance

When tool life has expired, it is recommended that the tool be disassembled, degreased and parts separated by material for proper recycling. Tool repair and maintenance should only be carried out by an Authorized Service Center.

Refer all communications to the nearest **Ingersoll Rand** office or distributor.

Related Documentation

Manuals can be downloaded from ingersollrand.com

For additional information, refer to:

Product Safety Information Manual 04581153

Product Information Manual TL-D5200-PIM

Declaration of Conformity TL-D5200-DOC