

Ingersoll Rand

LIFTCHAIN® Air & Hydraulic Hoists



Contents

LIFTCHAIN® Air Chain Hoists 2

Available in hook, standard and low headroom trolley mount configurations, these hoists are ideal for hazardous or high duty cycle applications. Experience-proven features and safety enhancements include exclusive air gear motor, automatic fail-safe brakes, corrosion resistant load chain, spark resistant packages, overload protection and E-stops along with CE compliant packages.



LIFTCHAIN® Hydraulic Chain Hoists 13

Providing the exceptionally smooth and precise control that hydraulics offer the LCH series of hoists and trolleys are available in hook and standard or low headroom trolley configurations. Hydraulic motors and controls are particularly well suited for integration with complex programmable logic control (PLC) systems and other automated applications.



How To Order 22

Detailed model driver chart to direct you through the creation of the LIFTCHAIN® part number creation



Service & Accessories 23

Ingersoll Rand offers a full line of accessories and service solutions beginning with simple repair and maintenance kits and extending to complete on-site inspections, maintenance, and training provided by factory trained technicians anywhere in the world.



Solutions 32

Ingersoll Rand believes solutions begin with the specification of a product or service to meet your specific applications requirements and then continues through the products' entire lifecycle. We have over 100 years of experience in providing safe and cost effective lifting solutions.



Winch & Hoist Checklist 33

A comprehensive checklist to assist us in providing the best product or service to meet your applications specific requirements.



WARNING: Unless otherwise noted this equipment is not designed for transporting people or lifting loads over people. It is the user's responsibility to determine the suitability of this product for any particular use and to check compliance with applicable regulations. Before installation, see maintenance and operations manual for additional warnings and precautions.

LIFTCHAIN® Air Chain Hoists



Ingersoll Rand has over 40 years of experience in heavy load lifting applications in the most difficult and extreme environments around the world. The new range of LIFTCHAIN® LC2A series hoists incorporates the best of what we have learned over this time.

Featuring a compact, robust and modular design, the LIFTCHAIN® hoists offer a range of capacities from **1.5 to 100 metric tons** with a variety of configurations including hook mount or with plain, geared, or motorized trolleys for mounting on jibs or beams.

Experience drives features and options, and four decades of experience means we have plenty of both to choose from; Chain containers, CE approved models, cold weather designs, spark and corrosion resistant versions, 5:1 design factors, articulating trolleys, custom control systems, and low headroom models; the list goes on.

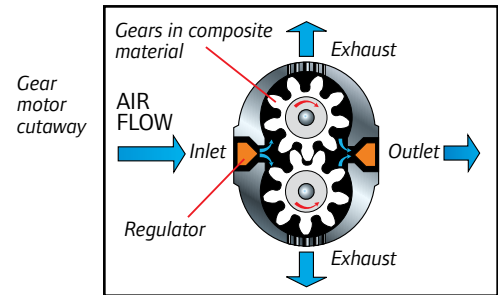
Whether it's lifting bags of farm produce or carefully positioning a 100 ton piece of equipment on a North Sea oil platform, we have the hoisting system to get the job done on time, every time, and at cost-effective price.

LIFTCHAIN® Air Hoist Series: 1.5 to 100 ton

Features and Options

LIFTCHAIN® Air Hoists Series Common Features

- **Rugged, Compact Design and Light Weight**
 - All steel construction for better durability. Particularly adapted for difficult environments.
 - Insensitive to dust and humidity
 - 100% duty cycle
- **Suitable for Hazardous Explosion Proof Environments**
 - Air motors (unlike electric motors) are inherently explosion proof
 - ATEX classification (as per directive EC 94/9/EEC)
 - Standard models are suitable for zone 2
 - Marking Ex II 3 GD c IIB 135°C X
 - Optional spark protection package for zone 1
 - Marking EX II 2 GD c IIB 135°C
- **Exclusive Gear Type Air Motor**
 - Better ability than other motors to accept contaminated air
 - High starting torque ensuring good spotting capability
 - Virtually maintenance free
 - Minimal moving parts
- **Automatic Multi Disc Brake**
 - Fully enclosed for better protection and corrosion resistance
 - No adjustment required. Maintenance free
 - Low pressure brake
 - "Venturi Effect" self-cleaning brake enclosure
- **Infinitely Variable Speed Control**
 - Precision spotting control with infinitely variable speed through pilot pendent control or pull chain control
- **Overload Protection Device (Available for non-CE models)**
 - Hoist is shut off and brake sets when overload of 125 – 130% is detected
 - Superior durability compared to mechanical slip clutch which wears and generates damaging heat
 - Prevents high forces being applied to the hoist and the customer support structure
- **Main Air Emergency Stop (Available for non-CE models)**
- **Upper and Lower Limit Switches**
 - Integrated in the hoist body for better protection
 - Allows the hoist to be also used in horizontal position
 - No adjustment required
- **Reduced Maintenance**
 - Innovative modular concept allowing easy inspections and maintenance for major components
- **Corrosion Resistant Load Chain**
 - Grade 80 calibrated load chain
 - Corrosion resistant treated for better protection and longer life
 - 5:1 design factor for safety and durability
- **Improved Exhaust Muffler**
 - Easy cleaning and simple replacement
- **Smart Design Bottom Blocks**
 - Bottom hook mounted on ball bearing for easier, smoother turning under load
 - Water drain hole to drain water from block
 - External lubrication point for better durability & ease of maintenance
- **Options and Accessories**
 - Plain, geared and motorized trolleys
 - Overload protection and E-stop (standard on CE models)
 - Chain containers (canvas or metal)
 - Marine paint systems
 - Spark resistant package for ATEX Zone 1
 - Rack & pinion trolley drive configuration
 - Low Temperature (-20°C) Certified (includes 3.1b material traceability certificates)
 - Air line accessories
 - Recoil festooning systems
 - Mining versions from 1.5 to 12 ton



LIFTCHAIN® - Air: 1.5 to 100 ton

Hook Mount & Trolley Mount Specifications & Performance



Selection Guide - Air Chain Hoists

| Model # | Capacity metric tons | # Falls | Motor HP | Lifting Speed @ Rated Load | | Hook Mount Headroom | | Trolley Mount Headroom | |
|---------------------|-------------------------|---------|-------------|-------------------------------|--------|------------------------|------|---------------------------|------|
| | | | | m/min | ft/min | mm | in | mm | in |
| LC2A015S | 1.5 | 1 | 3.5 | 6.2 | 20.3 | 409 | 16.1 | 448 | 17.6 |
| LC2A030D | 3 | 2 | 3.5 | 3.0 | 9.8 | 549 | 21.6 | 592 | 23.3 |
| New LC2A040S | 4 | 1 | 5.5 | 3.9 | 12.8 | 580 | 22.8 | 590 | 23.2 |
| New LC2A060S | 6 | 1 | 5.5 | 2.2 | 7.2 | 717 | 28.2 | 730 | 28.7 |
| New LC2A060Q | 6 | 4 | 3.5 | 1.5 | 4.9 | 653 | 25.7 | 702 | 27.6 |
| New LC2A080D | 8 | 2 | 5.5 | 1.8 | 5.9 | 807 | 31.8 | 815 | 32.1 |
| New LC2A120D | 12 | 2 | 5.5 | 1.1 | 3.6 | 945 | 37.2 | 995 | 39.2 |
| LC2A125S | 12.5 | 1 | 10 | 3.2 | 10.5 | 865 | 34.1 | 1,000 | 39.4 |
| New LC2A180T | 18 | 3 | 5.5 | 0.7 | 2.3 | 1,063 | 41.9 | 1,195 | 47.0 |
| New LC2A250Q | 25 | 4 | 5.5 | 0.5 | 1.6 | 1,156 | 45.5 | 1,240 | 48.8 |
| LC2A250D | 25 | 2 | 10 | 1.5 | 4.9 | 1,235 | 48.6 | 990 | 39.0 |
| LC2A375T | 37.5 | 3 | 10 | 1.0 | 3.3 | 1,484 | 58.4 | 1,134 | 44.6 |
| LC2A500Q | 50 | 4 | 10 | 0.7 | 2.3 | 1,590 | 62.6 | 1,182 | 46.5 |
| LCA750T | 75 | 3 | 10 | 0.4 | 1.3 | 2,338 | 92.0 | 1,845 | 72.6 |
| LCA1000Q | 100 | 4 | 10 | 0.3 | 1.0 | 2,455 | 96.7 | 1,901 | 74.8 |

LIFTCHAIN® - Air: 1.5 to 100 ton

Specifications & Performance

Hook Mount - Performance at 6.3 bar - 90 psi ⁽¹⁾

| Model # | Capacity metric | | Minimum Headroom | | Lifting Speed | | | | Lowering Speed | | Hoist Air Consumption @ Rated Load | | Chain Weight (per mtr of lift) | | Net Weight w/3m of Lift | | Air Inlet | Sound Level ⁽²⁾ | |
|----------|-----------------|--------|------------------|------|------------------|----------------|---------------|----------------|------------------|-------------------|------------------------------------|----------------------|--------------------------------|------|-------------------------|-------|-----------|----------------------------|-------|
| | tons | #Falls | mm | in | Rated Load m/min | No Load ft/min | No Load m/min | No Load ft/min | Rated Load m/min | Rated Load ft/min | m ³ /min | ft ³ /min | Chain Size | kg | lbs | kg | lbs | BSP | dB(A) |
| LC2A015S | 1.5 | 1 | 409 | 16.1 | 6.2 | 20.3 | 11.0 | 36.1 | 8.5 | 27.9 | 4 | 141 | 8x24 | 1.5 | 3.3 | 38 | 84 | 3/4 | 78 |
| LC2A030D | 3 | 2 | 549 | 21.6 | 3.0 | 9.8 | 5.5 | 18.0 | 4 | 13.1 | 4 | 141 | 8x24 | 3 | 6.6 | 48 | 106 | 3/4 | 78 |
| LC2A040S | 4 | 1 | 580 | 22.8 | 3.9 | 12.8 | 7.0 | 23.0 | 4.5 | 14.8 | 4.5 | 159 | 13x36 | 3.8 | 8.4 | 90 | 198 | 3/4 | 76 |
| LC2A060S | 6 | 1 | 717 | 28.2 | 2.2 | 7.2 | 3.6 | 11.8 | 2.7 | 8.9 | 5.2 | 184 | 16x45 | 5.7 | 12.5 | 125 | 275 | 3/4 | 79 |
| LC2A060Q | 6 | 4 | 653 | 25.7 | 1.5 | 4.9 | 2.5 | 8.2 | 2 | 6.6 | 4 | 141 | 8x24 | 6 | 13.2 | 74 | 163 | 3/4 | 78 |
| LC2A080D | 8 | 2 | 807 | 31.8 | 1.8 | 5.9 | 3.5 | 11.5 | 2.2 | 7.2 | 4.4 | 155 | 13x36 | 7.6 | 16.7 | 118 | 260 | 3/4 | 76 |
| LC2A120D | 12 | 2 | 945 | 37.2 | 1.1 | 3.6 | 1.8 | 5.9 | 1.3 | 4.3 | 5 | 177 | 16x45 | 11.4 | 25.1 | 170 | 374 | 3/4 | 79 |
| LC2A125S | 12.5 | 1 | 865 | 34.1 | 3.2 | 10.5 | 6.0 | 19.7 | 5 | 16.4 | 12 | 424 | 22x66 | 10.7 | 23.5 | 320 | 704 | 1-1/4 | 93 |
| LC2A180T | 18 | 3 | 1,063 | 41.9 | 0.7 | 2.3 | 1.2 | 3.9 | 0.9 | 3.0 | 5 | 177 | 16x45 | 17.1 | 37.6 | 277 | 609 | 3/4 | 79 |
| LC2A250Q | 25 | 4 | 1,156 | 45.5 | 0.5 | 1.6 | 0.9 | 3.0 | 0.6 | 2.0 | 5 | 177 | 16x45 | 23 | 50.6 | 324 | 713 | 3/4 | 79 |
| LC2A250D | 25 | 2 | 1,235 | 48.6 | 1.5 | 4.9 | 3.0 | 9.8 | 2.5 | 8.2 | 12 | 424 | 22x66 | 10.7 | 23.5 | 470 | 1,034 | 1-1/4 | 93 |
| LC2A375T | 37.5 | 3 | 1,484 | 58.4 | 1.0 | 3.3 | 2.0 | 6.6 | 1.7 | 5.6 | 12 | 424 | 22x66 | 10.7 | 23.5 | 820 | 1,804 | 1-1/4 | 93 |
| LC2A500Q | 50 | 4 | 1,590 | 62.6 | 0.7 | 2.3 | 1.5 | 4.9 | 1.2 | 3.9 | 12 | 424 | 22x66 | 10.7 | 23.5 | 920 | 2,024 | 1-1/4 | 93 |
| LCA750T | 75 | 3 | 2,338 | 92.0 | 0.4 | 1.3 | 0.7 | 2.3 | 0.7 | 2.3 | 12 | 424 | 32x90 | 24.5 | 53.9 | 1,700 | 3,740 | 1-1/4 | 93 |
| LCA1000Q | 100 | 4 | 2,455 | 96.7 | 0.3 | 1.0 | 0.5 | 1.6 | 0.5 | 1.6 | 12 | 424 | 32x90 | 24.5 | 53.9 | 2,200 | 4,840 | 1-1/4 | 93 |

(1) Working pressure from 5 to 7 bar (70 to 100 psi)

(2) Sound pressure levels are measured per European Standard EN 14492-2



LIFTCHAIN® - Air: 1.5 to 100 ton

Specifications & Performance - Standard Headroom ⁽¹⁾

Trolley Mount - Performance at 6.3 bar - 90 psi ⁽²⁾

| Model # | Trolley Type | Capacity metric tons | Minimum Headroom | | Trolley Speed @ Rated Load ⁽³⁾ | | Trolley Air Consumption @ Rated Load | | Trolley Flange Adjustment | | Minimum Curve Radius | | Air Inlet BSP | Net Weight w/3m of Lift | |
|----------|--------------|----------------------|------------------|------|---|--------|--------------------------------------|----------------------|---------------------------|----------|----------------------|-------|---------------|-------------------------|--------|
| | | | mm | in | m/min | ft/min | m ³ /min | ft ³ /min | mm | in | m | ft | | kg | lbs |
| LC2A015S | Plain | 1.5 | 448 | 17.6 | - | - | - | - | 80-200* | 3.1-7.9 | 1 | 3.3 | - | 90 | 198 |
| LC2A015S | Geared | 1.5 | 448 | 17.6 | - | - | - | - | 80-200* | 3.1-7.9 | 1 | 3.3 | - | 92 | 202 |
| LC2A015S | Motor | 1.5 | 448 | 17.6 | 17 | 55.8 | 1.3 | 46 | 80-200* | 3.1-7.9 | 1 | 3.3 | 3/4 | 95 | 209 |
| LC2A030D | Plain | 3 | 592 | 23.3 | - | - | - | - | 80-200* | 3.1-7.9 | 2 | 6.6 | - | 98 | 216 |
| LC2A030D | Geared | 3 | 592 | 23.3 | - | - | - | - | 80-200* | 3.1-7.9 | 2 | 6.6 | - | 100 | 220 |
| LC2A030D | Motor | 3 | 592 | 23.3 | 17 | 55.8 | 1.3 | 46 | 80-200* | 3.1-7.9 | 2 | 6.6 | 3/4 | 103 | 227 |
| LC2A040S | Plain | 4 | 590 | 23.2 | - | - | - | - | 80-200* | 3.1-7.9 | 2 | 6.6 | - | 140 | 308 |
| LC2A040S | Geared | 4 | 590 | 23.2 | - | - | - | - | 80-200* | 3.1-7.9 | 2 | 6.6 | - | 142 | 312 |
| LC2A040S | Motor | 4 | 590 | 23.2 | 15 | 49.2 | 1.3 | 46 | 80-200* | 3.1-7.9 | 2 | 6.6 | 3/4 | 145 | 319 |
| LC2A060S | Plain | 6 | 730 | 28.7 | - | - | - | - | 100-310 | 3.9-12.2 | 3 | 9.8 | - | 250 | 550 |
| LC2A060S | Geared | 6 | 730 | 28.7 | - | - | - | - | 100-310 | 3.9-12.2 | 3 | 9.8 | - | 257 | 565 |
| LC2A060S | Motor | 6 | 730 | 28.7 | 15 | 49.2 | 1.3 | 46 | 100-310 | 3.9-12.2 | 3 | 9.8 | 3/4 | 267 | 587 |
| LC2A060Q | Plain | 6 | 702 | 27.6 | - | - | - | - | 100-310 | 3.9-12.2 | 3 | 9.8 | - | 200 | 440 |
| LC2A060Q | Geared | 6 | 702 | 27.6 | - | - | - | - | 100-310 | 3.9-12.2 | 3 | 9.8 | - | 207 | 455 |
| LC2A060Q | Motor | 6 | 702 | 27.6 | 15 | 49.2 | 1.3 | 46 | 100-310 | 3.9-12.2 | 3 | 9.8 | 3/4 | 217 | 477 |
| LC2A080D | Plain | 8 | 815 | 32.1 | - | - | - | - | 100-310 | 3.9-12.2 | 3 | 9.8 | - | 243 | 535 |
| LC2A080D | Geared | 8 | 815 | 32.1 | - | - | - | - | 100-310 | 3.9-12.2 | 3 | 9.8 | - | 250 | 550 |
| LC2A080D | Motor | 8 | 815 | 32.1 | 12 | 39.4 | 1.3 | 46 | 100-310 | 3.9-12.2 | 3 | 9.8 | 3/4 | 260 | 572 |
| LC2A120D | Plain | 12 | 995 | 39.2 | - | - | - | - | 130-310 | 5.1-12.2 | 3 | 9.8 | - | 335 | 737 |
| LC2A120D | Geared | 12 | 995 | 39.2 | - | - | - | - | 130-310 | 5.1-12.2 | 3 | 9.8 | - | 343 | 755 |
| LC2A120D | Motor | 12 | 995 | 39.2 | 12 | 39.4 | 1.9 | 67 | 130-310 | 5.1-12.2 | 3 | 9.8 | 3/4 | 352 | 774 |
| LC2A125S | Motor | 12.5 | 1,000 | 39.4 | 12 | 39.4 | 1.9 | 67 | 130-310 | 5.1-12.2 | 3 | 9.8 | 1-1/4 | 570 | 1,256 |
| LC2A180T | Plain | 18 | 1,195 | 47.0 | - | - | - | - | 140-310 | 5.5-12.2 | 5 | 16.4 | - | 652 | 1,434 |
| LC2A180T | Geared | 18 | 1,195 | 47.0 | - | - | - | - | 140-310 | 5.5-12.2 | 5 | 16.4 | - | 660 | 1,452 |
| LC2A180T | Motor | 18 | 1,195 | 47.0 | 15 | 49.2 | 1.9 | 67 | 140-310 | 5.5-12.2 | 5 | 16.4 | 3/4 | 669 | 1,472 |
| LC2A250Q | Plain | 25 | 1,240 | 48.8 | - | - | - | - | 140-310 | 5.5-12.2 | 5 | 16.4 | - | 700 | 1,540 |
| LC2A250Q | Geared | 25 | 1,240 | 48.8 | - | - | - | - | 140-310 | 5.5-12.2 | 5 | 16.4 | - | 708 | 1,558 |
| LC2A250Q | Motor | 25 | 1,240 | 48.8 | 12 | 39.4 | 1.9 | 67 | 140-310 | 5.5-12.2 | 5 | 16.4 | 3/4 | 717 | 1,577 |
| LC2A250D | Motor | 25 | 990 | 39.0 | 12 | 39.4 | 1.9 | 67 | 140-310 | 5.5-12.2 | 5 | 16.4 | 1-1/4 | 845 | 1,859 |
| LC2A375T | Motor | 37.5 | 1,134 | 44.6 | 15 | 49.2 | 3.8 | 134 | 160-310 | 6.3-12.2 | 25 | 82.0 | 1-1/4 | 1,650 | 3,630 |
| LC2A500Q | Motor | 50 | 1,182 | 46.5 | 12 | 39.4 | 3.8 | 134 | 160-310 | 6.3-12.2 | 25 | 82.0 | 1-1/4 | 1,950 | 4,290 |
| LCA750T | Motor | 75 | 1,845 | 72.6 | 10 | 32.8 | 7.6 | 268 | 160-310 | 6.3-12.2 | 130 | 426.4 | 1-1/4 | 4,500 | 9,900 |
| LCA1000Q | Motor | 100 | 1,901 | 74.8 | 10 | 32.8 | 7.6 | 268 | 160-310 | 6.3-12.2 | 130 | 426.4 | 1-1/4 | 4,700 | 10,340 |

(1) For Low Headroom version, see page 11

(2) Working pressure from 5 to 7 bar (70 to 100 psi)

(3) In Rack & Pinion configuration, the trolley speed is divided by two

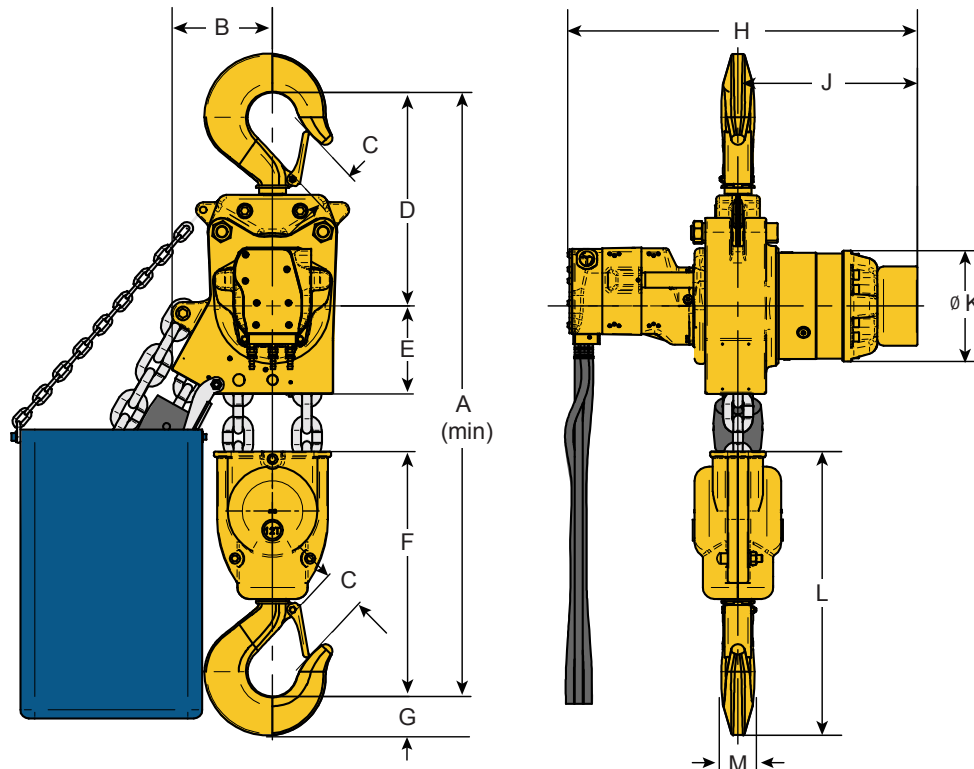
(*) 200-310 with Option W



Dimension Drawings - Air: 1.5 to 25 ton (4 falls)

Hook Mount

See page 27 for
chainbucket
dimension
information



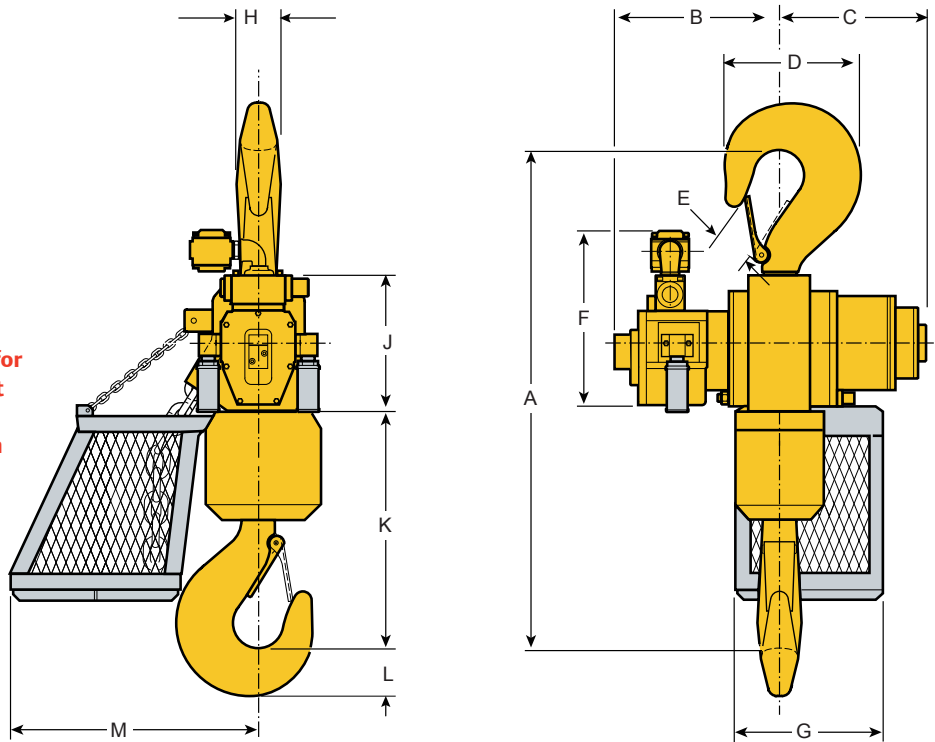
| Hook Mount | A | | B | | C | | D | | E | | F | | G | | H | |
|------------|-------|------|-----|------|----|-----|-----|------|-------|-----|-----|------|----|-----|-----|------|
| | mm | in | mm | in | mm | in | mm | in | mm | in | mm | in | mm | in | mm | in |
| LC2A015S | 409 | 16.1 | 112 | 4.4 | 27 | 1.1 | 173 | 6.8 | 90 | 3.5 | 146 | 5.7 | 30 | 1.2 | 425 | 16.7 |
| LC2A030D | 549 | 21.6 | 112 | 4.4 | 35 | 1.4 | 202 | 8.0 | 90 | 3.5 | 257 | 10.1 | 37 | 1.5 | 425 | 16.7 |
| LC2A040S | 580 | 22.8 | 183 | 7.2 | 35 | 1.4 | 264 | 10.4 | 127 | 5.0 | 190 | 7.5 | 37 | 1.5 | 606 | 23.9 |
| LC2A060S | 717 | 28.2 | 233 | 9.2 | 43 | 1.7 | 350 | 13.8 | 139 | 5.5 | 228 | 9.0 | 50 | 2.0 | 630 | 24.8 |
| LC2A060Q | 653 | 25.7 | 112 | 4.4 | 43 | 1.7 | 266 | 10.5 | 90 | 3.5 | 296 | 11.7 | 50 | 2.0 | 394 | 15.5 |
| LC2A080D | 807 | 31.8 | 140 | 5.5 | 53 | 2.1 | 307 | 12.1 | 127 | 5.0 | 373 | 14.7 | 60 | 2.4 | 606 | 23.9 |
| LC2A120D | 945 | 37.2 | 175 | 6.9 | 58 | 2.3 | 370 | 14.6 | 152 | 6.0 | 424 | 16.7 | 67 | 2.6 | 630 | 24.8 |
| LC2A125S | 865 | 34.1 | 276 | 10.9 | 58 | 2.3 | 368 | 14.5 | 200.5 | 7.9 | 296 | 11.7 | 67 | 2.6 | 816 | 32.1 |
| LC2A180T | 1,063 | 41.9 | 175 | 6.9 | 78 | 3.1 | 427 | 16.8 | 152 | 6.0 | 484 | 19.1 | 80 | 3.1 | 750 | 29.5 |
| LC2A250Q | 1,156 | 45.5 | 175 | 6.9 | 87 | 3.4 | 474 | 18.7 | 152 | 6.0 | 530 | 20.9 | 96 | 3.8 | 750 | 29.5 |

| Hook Mount | J | | K | | L | | M | |
|------------|-----|------|-----|------|-----|------|----|-----|
| | mm | in | mm | in | mm | in | mm | in |
| LC2A015S | 127 | 5.0 | 128 | 5.0 | 176 | 6.9 | 22 | 0.9 |
| LC2A030D | 127 | 5.0 | 128 | 5.0 | 294 | 11.6 | 32 | 1.3 |
| LC2A040S | 297 | 11.7 | 192 | 7.6 | 227 | 8.9 | 32 | 1.3 |
| LC2A060S | 310 | 12.2 | 192 | 7.6 | 278 | 10.9 | 39 | 1.5 |
| LC2A060Q | 158 | 6.2 | 128 | 5.0 | 346 | 13.6 | 39 | 1.5 |
| LC2A080D | 297 | 11.7 | 192 | 7.6 | 433 | 17.0 | 55 | 2.2 |
| LC2A120D | 310 | 12.2 | 192 | 7.6 | 491 | 19.3 | 57 | 2.2 |
| LC2A125S | 265 | 10.4 | 300 | 11.8 | 363 | 14.3 | 57 | 2.2 |
| LC2A180T | 386 | 15.2 | 192 | 7.6 | 564 | 22.2 | 67 | 2.6 |
| LC2A250Q | 367 | 14.4 | 192 | 7.6 | 626 | 24.6 | 85 | 3.3 |

Dimensions are subject to change, contact Customer Services for certified prints.

Dimension Drawings - Air: 25 (double falls) to 100 ton Hook Mount

See page 27 for
chainbucket
dimension
information



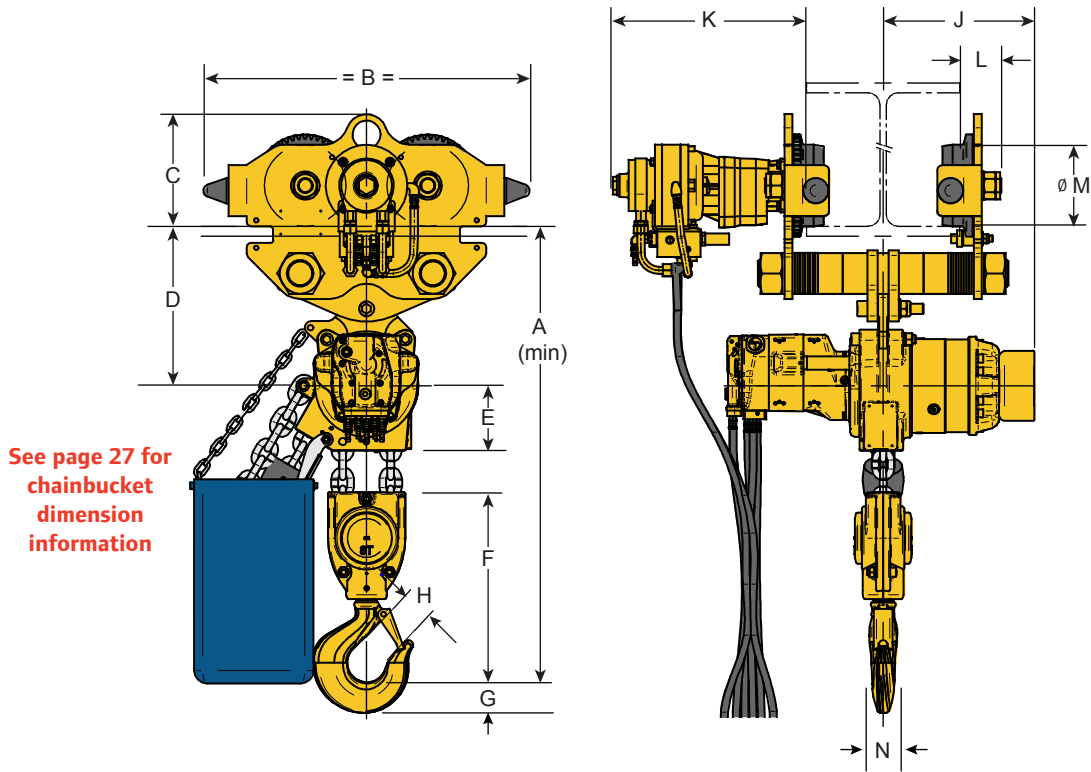
| Hook Mount | A | | B | | C | | D | | E | | F | | G | | H | | J | |
|------------|-------|------|-----|------|-----|------|-----|------|-----|-----|-----|------|-----|------|-----|-----|-------|------|
| | mm | in | mm | in | mm | in | mm | in | mm | in | mm | in | mm | in | mm | in | mm | in |
| LC2A250D | 1,235 | 48.6 | 551 | 21.7 | 265 | 10.4 | 340 | 13.4 | 87 | 3.4 | 441 | 17.4 | 475 | 18.7 | 80 | 3.1 | 390.5 | 15.4 |
| LC2A375T | 1,484 | 58.4 | 605 | 23.8 | 373 | 14.7 | 390 | 15.4 | 103 | 4.1 | 441 | 17.4 | 475 | 18.7 | 125 | 4.9 | 406.5 | 16.0 |
| LC2A500Q | 1,590 | 62.6 | 632 | 24.9 | 346 | 13.6 | 440 | 17.3 | 118 | 4.6 | 441 | 17.4 | 475 | 18.7 | 140 | 5.5 | 415.5 | 16.4 |
| LCA750T | 2,338 | 92.0 | 632 | 24.9 | 718 | 28.3 | 574 | 22.6 | 152 | 6.0 | 441 | 17.4 | 912 | 35.9 | 180 | 7.1 | 774 | 30.5 |
| LCA1000Q | 2,455 | 96.7 | 668 | 26.3 | 682 | 26.9 | 610 | 24.0 | 180 | 7.1 | 441 | 17.4 | 912 | 35.9 | 200 | 7.9 | 774 | 30.5 |

| Hook Mount | K | | L | | M | |
|------------|-------|------|-----|-----|-------|------|
| | mm | in | mm | in | mm | in |
| LC2A250D | 572 | 22.5 | 94 | 3.7 | 836 | 32.9 |
| LC2A375T | 714 | 28.1 | 132 | 5.2 | 836 | 32.9 |
| LC2A500Q | 763 | 30.0 | 150 | 5.9 | 836 | 32.9 |
| LCA750T | 1,055 | 41.5 | 190 | 7.5 | 1,165 | 45.9 |
| LCA1000Q | 1,111 | 43.7 | 250 | 9.8 | 1,365 | 53.7 |

Dimensions are subject to change, contact Customer Services for certified prints.

Dimension Drawings - Air: 1.5 to 25 ton (4 falls)

Trolley Mount - Standard Headroom



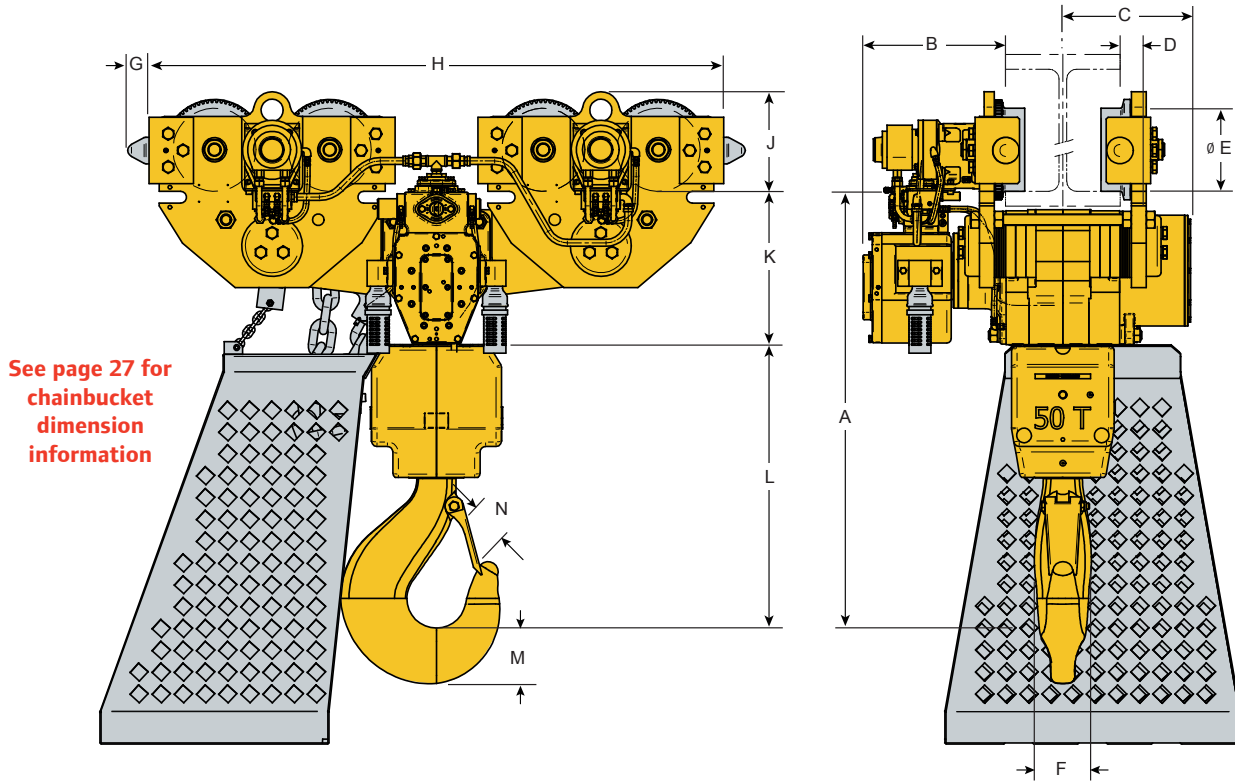
| Trolley Mount | A | | B | | C | | D | | E | | F | | G | | H | |
|---------------|-------|------|-----|------|-----|------|-----|------|-----|-----|-----|------|----|-----|----|-----|
| | mm | in | mm | in | mm | in | mm | in | mm | in | mm | in | mm | in | mm | in |
| LC2A015S | 448 | 17.6 | 329 | 13.0 | 100 | 3.9 | 212 | 8.3 | 90 | 3.5 | 146 | 5.7 | 30 | 1.2 | 27 | 1.1 |
| LC2A030D | 592 | 23.3 | 436 | 17.2 | 147 | 5.8 | 244 | 9.6 | 90 | 3.5 | 257 | 10.1 | 37 | 1.5 | 35 | 1.4 |
| LC2A040S | 590 | 23.2 | 436 | 17.2 | 147 | 5.8 | 273 | 10.7 | 127 | 5.0 | 190 | 7.5 | 37 | 1.5 | 35 | 1.4 |
| LC2A060S | 730 | 28.7 | 640 | 25.2 | 220 | 8.7 | 350 | 13.8 | 152 | 6.0 | 228 | 9.0 | 50 | 2.0 | 43 | 1.7 |
| LC2A060Q | 702 | 27.6 | 640 | 25.2 | 220 | 8.7 | 315 | 12.4 | 90 | 3.5 | 296 | 11.7 | 50 | 2.0 | 43 | 1.7 |
| LC2A080D | 815 | 32.1 | 640 | 25.2 | 220 | 8.7 | 313 | 12.3 | 127 | 5.0 | 373 | 14.7 | 60 | 2.4 | 53 | 2.1 |
| LC2A120D | 995 | 39.2 | 622 | 24.5 | 220 | 8.7 | 420 | 16.5 | 152 | 6.0 | 424 | 16.7 | 67 | 2.6 | 58 | 2.3 |
| LC2A125S | 1,000 | 39.4 | 622 | 24.5 | 220 | 8.7 | 498 | 19.6 | 201 | 7.9 | 296 | 11.7 | 67 | 2.6 | 58 | 2.3 |
| LC2A180T | 1,195 | 47.0 | 790 | 31.1 | 270 | 10.6 | 558 | 22.0 | 152 | 6.0 | 484 | 19.1 | 80 | 3.1 | 78 | 3.1 |
| LC2A250Q | 1,240 | 48.8 | 790 | 31.1 | 270 | 10.6 | 558 | 22.0 | 152 | 6.0 | 530 | 20.9 | 96 | 3.8 | 87 | 3.4 |

| Trolley Mount | J | | K | | L | | M | | N | |
|---------------|-----|------|-----|------|-----|-----|-----|-----|----|-----|
| | mm | in | mm | in | mm | in | mm | in | mm | in |
| LC2A015S | 180 | 7.1 | 190 | 7.5 | 60 | 2.4 | 120 | 4.7 | 22 | 0.9 |
| LC2A030D | 180 | 7.1 | 190 | 7.5 | 60 | 2.4 | 120 | 4.7 | 32 | 1.3 |
| LC2A040S | 300 | 11.8 | 190 | 7.5 | 60 | 2.4 | 120 | 4.7 | 32 | 1.3 |
| LC2A060S | 310 | 12.2 | 380 | 15.0 | 82 | 3.2 | 160 | 6.3 | 39 | 1.5 |
| LC2A060Q | 250 | 9.8 | 380 | 15.0 | 82 | 3.2 | 160 | 6.3 | 39 | 1.5 |
| LC2A080D | 300 | 11.8 | 380 | 15.0 | 82 | 3.2 | 160 | 6.3 | 55 | 2.2 |
| LC2A120D | 310 | 12.2 | 410 | 16.1 | 91 | 3.6 | 160 | 6.3 | 57 | 2.2 |
| LC2A125S | 265 | 10.4 | 313 | 12.3 | 87 | 3.4 | 160 | 6.3 | 57 | 2.2 |
| LC2A180T | 390 | 15.4 | 360 | 14.2 | 125 | 4.9 | 225 | 8.9 | 67 | 2.6 |
| LC2A250Q | 370 | 14.6 | 360 | 14.2 | 125 | 4.9 | 225 | 8.9 | 85 | 3.3 |



Dimensions are subject to change, contact Customer Services for certified prints.

Dimension Drawings - Air: 25 (double falls) to 100 ton Trolley Mount - Standard Headroom



| Trolley Mount | A | | B | | C | | D | | E | | F | | G | | H | | J | |
|---------------|-------|------|-----|------|-----|------|-----|------|-----|-----|-----|-----|----|-----|-------|-------|-----|------|
| | mm | in | mm | in | mm | in | mm | in | mm | in | mm | in | mm | in | mm | in | mm | in |
| LC2A250D | 990 | 39.0 | 484 | 19.1 | 265 | 10.4 | 87 | 3.4 | 160 | 6.3 | 84 | 3.3 | 58 | 2.3 | 1,246 | 49.1 | 220 | 8.7 |
| LC2A375T | 1,134 | 44.6 | 484 | 19.1 | 373 | 14.7 | 121 | 4.8 | 225 | 8.9 | 125 | 4.9 | 58 | 2.3 | 1,556 | 61.3 | 270 | 10.6 |
| LC2A500Q | 1,182 | 46.5 | 484 | 19.1 | 346 | 13.6 | 121 | 4.8 | 225 | 8.9 | 140 | 5.5 | 58 | 2.3 | 1,556 | 61.3 | 270 | 10.6 |
| LCA750T | 1,845 | 72.6 | 484 | 19.1 | 714 | 28.1 | 341 | 13.4 | 225 | 8.9 | 180 | 7.1 | 58 | 2.3 | 3,254 | 128.1 | 270 | 10.6 |
| LCA1000Q | 1,901 | 74.8 | 484 | 19.1 | 678 | 26.7 | 341 | 13.4 | 225 | 8.9 | 200 | 7.9 | 58 | 2.3 | 3,254 | 128.1 | 270 | 10.6 |

| Trolley Mount | K | | L | | M | | N | |
|---------------|-----|------|-------|------|-----|-----|-----|-----|
| | mm | in | mm | in | mm | in | mm | in |
| LC2A250D | 411 | 16.2 | 572 | 22.5 | 94 | 3.7 | 87 | 3.4 |
| LC2A375T | 416 | 16.4 | 714 | 28.1 | 132 | 5.2 | 103 | 4.1 |
| LC2A500Q | 416 | 16.4 | 763 | 30.0 | 150 | 5.9 | 118 | 4.6 |
| LCA750T | 790 | 31.1 | 1,055 | 41.5 | 190 | 7.5 | 152 | 6.0 |
| LCA1000Q | 790 | 31.1 | 1,111 | 43.7 | 250 | 9.8 | 180 | 7.1 |

Ultra Low Headroom chain hoists up to 100 ton capacity are available on request. Contact Technical Sales for further information.

Dimensions are subject to change, contact Customer Services for certified prints.

LIFTCHAIN® - Air: 1.5 to 25 ton

Specifications & Performance - Low Headroom

Low Headroom Motorized Trolley - Performance at 6.3 bar - 90 psi ⁽¹⁾

| Model # | Trolley Type | Capacity metric tons | Minimum Headroom | | Trolley Speed @ Rated Load | | Air Consumption @ Rated Load | | Trolley Flange Adjustment | | Minimum Curve Radius | Air Inlet BSP |
|----------|--------------|----------------------|------------------|------|----------------------------|--------|------------------------------|----------------------|---------------------------|----------|----------------------|---------------|
| | | | mm | in | m/min | ft/min | m ³ /min | ft ³ /min | mm | in | | |
| LC2A015S | Motor | 1.5 | 285 | 11.2 | 17.0 | 55.8 | 1.3 | 46 | 82-200 | 3.2-7.9 | NA | 3/4 |
| LC2A030D | Motor | 3 | 396 | 15.6 | 17.0 | 55.8 | 1.3 | 46 | 80-200* | 3.2-7.9 | NA | 3/4 |
| LC2A040S | Motor | 4 | 382 | 15.0 | 15.0 | 49.2 | 1.3 | 46 | 80-200* | 3.1-7.9 | NA | 3/4 |
| LC2A060S | Motor | 6 | 443 | 17.4 | 12.0 | 39.4 | 1.9 | 67 | 100-310 | 3.9-12.2 | NA | 3/4 |
| LC2A060Q | Motor | 6 | 695 | 27.4 | 15.0 | 49.2 | 1.3 | 46 | 100-310 | 3.9-12.2 | NA | 3/4 |
| LC2A080D | Motor | 8 | 521 | 20.5 | 12.0 | 39.4 | 1.3 | 46 | 100-310 | 3.9-12.2 | NA | 3/4 |
| LC2A120D | Motor | 12 | 638 | 25.1 | 12.0 | 39.4 | 1.9 | 67 | 130-310 | 5.2-12.2 | NA | 3/4 |
| LC2A180T | Motor | 18 | 688 | 27.1 | 12.0 | 39.4 | 1.9 | 67 | 140-310 | 5.6-12.2 | NA | 3/4 |
| LC2A250Q | Motor | 25 | 740 | 29.1 | 12.0 | 39.4 | 1.9 | 67 | 140-310 | 5.5-12.2 | NA | 3/4 |

(1) Working pressure from 5 to 7 bar (70 to 100 psi)

(*) 200-310 with Option W



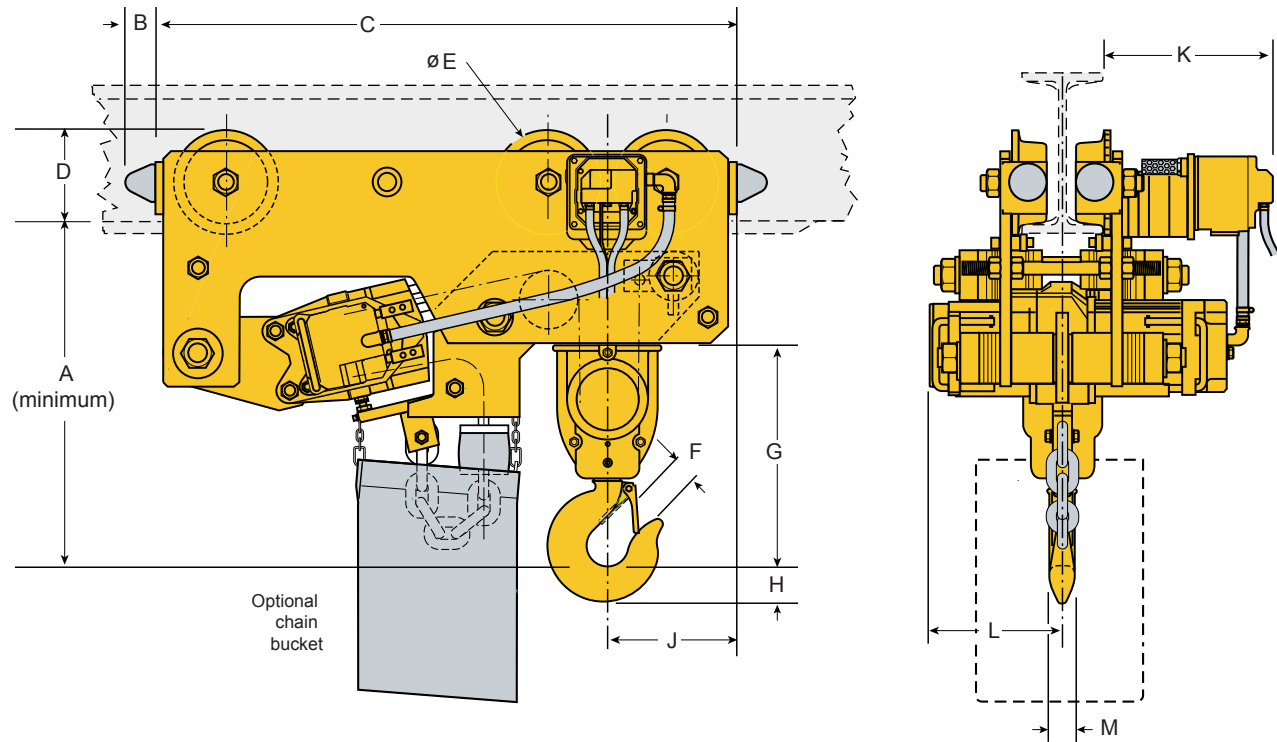
Building rugged and compact hoisting equipment to fit into cramped, confined, and inhospitable spaces is a specialty of Ingersoll Rand.

Our Low and Ultra-Low™ hoisting systems are used in applications where space is at a premium and environments are challenging; offshore oil platforms, underground mining and tunneling, gas processing modules, and shipboard engine rooms.



Dimension Drawings - Air: 1.5 to 25 ton

Trolley Mount - Low Headroom



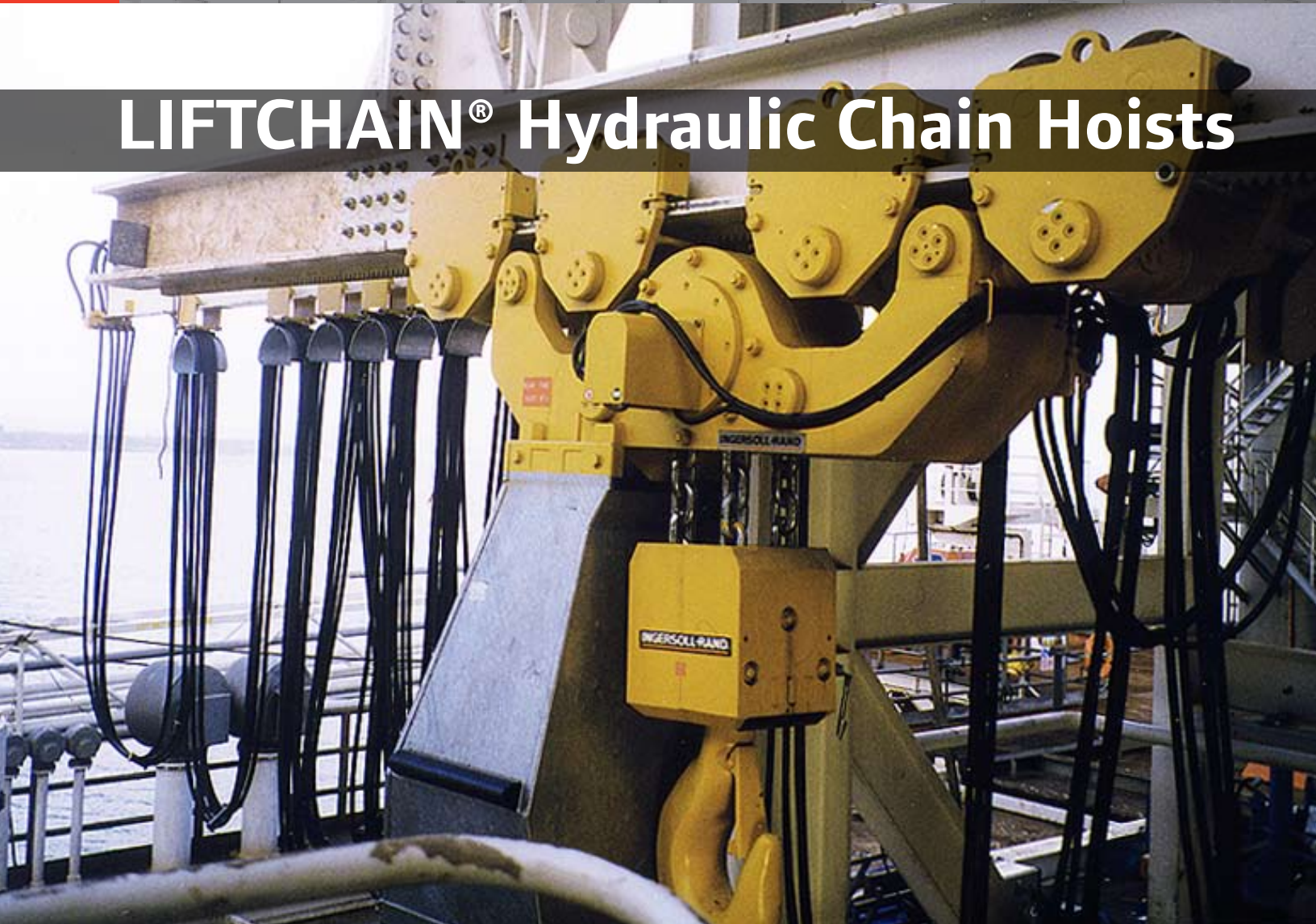
| Trolley Mount | A | | B | | C | | D | | E | | F | | G | | H | | J | |
|---------------|-----|------|----|-----|-------|------|-----|-----|-----|-----|-----|------|-----|------|----|-----|-------|------|
| | mm | in | mm | in | mm | in | mm | in | mm | in | mm | in | mm | in | mm | in | mm | in |
| LC2A015S | 285 | 11.2 | 19 | 0.7 | 631 | 24.8 | 135 | 5.3 | 120 | 4.7 | 212 | 8.3 | 560 | 22.0 | 27 | 1.1 | 147 | 5.8 |
| LC2A030D | 396 | 15.6 | 19 | 0.7 | 631 | 24.8 | 135 | 5.3 | 120 | 4.7 | 212 | 8.3 | 560 | 22.0 | 32 | 1.3 | 258 | 10.2 |
| LC2A040S | 382 | 15.0 | 58 | 2.3 | 966 | 38.0 | 180 | 7.1 | 160 | 6.3 | 361 | 14.2 | 819 | 32.2 | 32 | 1.3 | 185 | 7.3 |
| LC2A060S | 443 | 17.4 | 58 | 2.3 | 1,111 | 43.7 | 180 | 7.1 | 160 | 6.3 | 435 | 17.1 | 976 | 38.4 | 43 | 1.7 | 228.5 | 9.0 |
| LC2A080D | 521 | 20.5 | 58 | 2.3 | 966 | 38.0 | 180 | 7.1 | 160 | 6.3 | 361 | 14.2 | 819 | 32.2 | 40 | 1.6 | 333 | 13.1 |
| LC2A120D | 638 | 25.1 | 58 | 2.3 | 1,111 | 43.7 | 180 | 7.1 | 160 | 6.3 | 435 | 17.1 | 976 | 38.4 | 58 | 2.3 | 423.5 | 16.7 |
| LC2A180T | 688 | 27.1 | 58 | 2.3 | 1,245 | 49.0 | 249 | 9.8 | 225 | 8.9 | 441 | 17.4 | 967 | 38.1 | 78 | 3.1 | 467 | 18.4 |
| LC2A250Q | 740 | 29.1 | 58 | 2.3 | 1,301 | 51.2 | 249 | 9.8 | 225 | 8.9 | 441 | 17.4 | 967 | 38.1 | 87 | 3.4 | 519 | 20.4 |

| Trolley Mount | K | | L | | M | |
|---------------|-----|------|-------|------|----|-----|
| | mm | in | mm | in | mm | in |
| LC2A015S | 190 | 7.5 | 127 | 5.0 | 22 | 0.9 |
| LC2A030D | 190 | 7.5 | 127 | 5.0 | 32 | 1.3 |
| LC2A040S | 190 | 7.5 | 300 | 11.8 | 32 | 1.3 |
| LC2A060S | 326 | 12.8 | 252.5 | 9.9 | 39 | 1.5 |
| LC2A080D | 380 | 15.0 | 300 | 11.8 | 55 | 2.2 |
| LC2A120D | 326 | 12.8 | 252.5 | 9.9 | 57 | 2.2 |
| LC2A180T | 332 | 13.1 | 252.5 | 9.9 | 67 | 2.6 |
| LC2A250Q | 332 | 13.1 | 252.5 | 9.9 | 85 | 3.3 |

Ultra Low Headroom chain hoists up to 100 ton capacity are available on request. Contact Technical Sales for further information.

Dimensions are subject to change, contact Customer Services for certified prints.

LIFTCHAIN® Hydraulic Chain Hoists



- The LIFTCHAIN® Hydraulic Chain Hoist series is an innovative alternative to our air driven chain hoists. Capacities from 6 to 100 metric ton.
- Very low noise level
- Extremely sensitive variable speed control of lifting and travelling motions
- Easy installation and operation
- Lower energy cost

LIFTCHAIN® Hydraulic Hoist Series: 6 to 100 ton

Features and Options

LIFTCHAIN® Hydraulic Hoists Series Common Features

- **Rugged, Compact Design and Light Weight**
 - All steel construction for better durability. Particularly adapted for difficult environments.
 - Insensitive to dust and humidity
 - 100% duty cycle
- **Suitable for Hazardous Explosion Proof Environments**
 - Hydraulic motors (unlike electric motors) are inherently explosion proof
 - ATEX classification (as per directive EC 94/9/EEC)
 - Standard models are suitable for zone 2
 - Marking Ex II 3 GD c IIB 135°C X
 - Optional spark protection package for zone 1
 - Marking EX II 2 GD c IIB 135°C
- **Automatic Multi Disc Brake**
 - Fully enclosed for better protection and corrosion resistance
 - No adjustment required. Maintenance free.
- **Overload Protection Device**
 - Hoist is shut off and brake sets when overload of 125 – 130% is detected
 - Superior durability compared to mechanical slip clutch which wears and generates damaging heat
 - Prevents high forces being applied to the hoist and the customer support structure
- **Upper and Lower Limit Switches**
 - Integrated in the hoist body for better protection
 - No adjustment required
- **Reduced Maintenance**
 - Innovative modular concept allowing easy inspections and maintenance for major components
- **Corrosion Resistant Load Chain**
 - Grade 80 calibrated load chain
 - Corrosion resistant treated for better protection and longer life
 - 5:1 design factor for safety and durability
- **Smart Design Bottom Blocks**
 - Bottom hook mounted on ball bearing for easier, smoother turning under load
 - Water drain hole to drain water from block
 - External lubrication point for better durability and ease of maintenance
- **Options and Accessories**
 - Plain, geared and motorized trolleys
 - Chain containers (canvas or metal)
 - Marine paint systems
 - Spark resistant package for ATEX Zone 1
 - Rack & pinion trolley drive configuration
 - 3.1b & 2.2 Material traceability certificates
 - Festooning systems



LIFTCHAIN® - Hydraulic: 6 to 100 ton

Hook Mount & Trolley Mount Specifications & Performance



Selection Guide - Hydraulic Chain Hoists

| Model # | Capacity | | Lifting Speed @ Rated Load | | Hook Mount Headroom | | Trolley Mount Headroom | |
|----------|-------------|---------|----------------------------|--------|---------------------|------|------------------------|------|
| | metric tons | # Falls | m/min | ft/min | mm | in | mm | in |
| LCH060S | 6 | 1 | 5.6 | 18.4 | 735 | 28.9 | 792 | 30.0 |
| LCH120D | 12 | 2 | 2.8 | 9.2 | 991 | 39.0 | 999 | 39.3 |
| LC2H125S | 12.5 | 1 | 4.6 | 15.1 | 865 | 34.1 | 1,000 | 39.4 |
| LCH180T | 18 | 3 | 1.9 | 6.2 | 1,083 | 42.6 | 1,241 | 48.9 |
| LCH250Q | 25 | 4 | 1.4 | 4.6 | 1,180 | 46.5 | 1,290 | 50.8 |
| LC2H250D | 25 | 2 | 2.3 | 7.5 | 1,235 | 48.6 | 990 | 39.0 |
| LC2H375T | 37.5 | 3 | 1.5 | 4.9 | 1,484 | 58.4 | 1,134 | 44.6 |
| LC2H500Q | 50 | 4 | 1.1 | 3.6 | 1,590 | 62.6 | 1,182 | 46.5 |
| LCH750T | 75 | 3 | 0.5 | 1.6 | 2,338 | 92.0 | 1,845 | 72.6 |
| LCH1000Q | 100 | 4 | 0.4 | 1.3 | 2,455 | 96.7 | 1,901 | 74.8 |

Controls

Control systems, hoses and fittings are delivered as separate accessories. The LCH Series can be provided with control systems such as:

- Hydraulic control console for hoist only, hoist / trolley combination, or for complete lifting system (e.g. systems with 2 or 4 hoist / trolley combination).
- Electro-hydraulic control console, also available for all types of configurations
- Hydraulic pendant control from 6 ton models with motorized trolley.

All these control systems can be delivered with emergency stop device on request.



LIFTCHAIN® - Hydraulic: 6 to 100 ton

Specifications & Performance

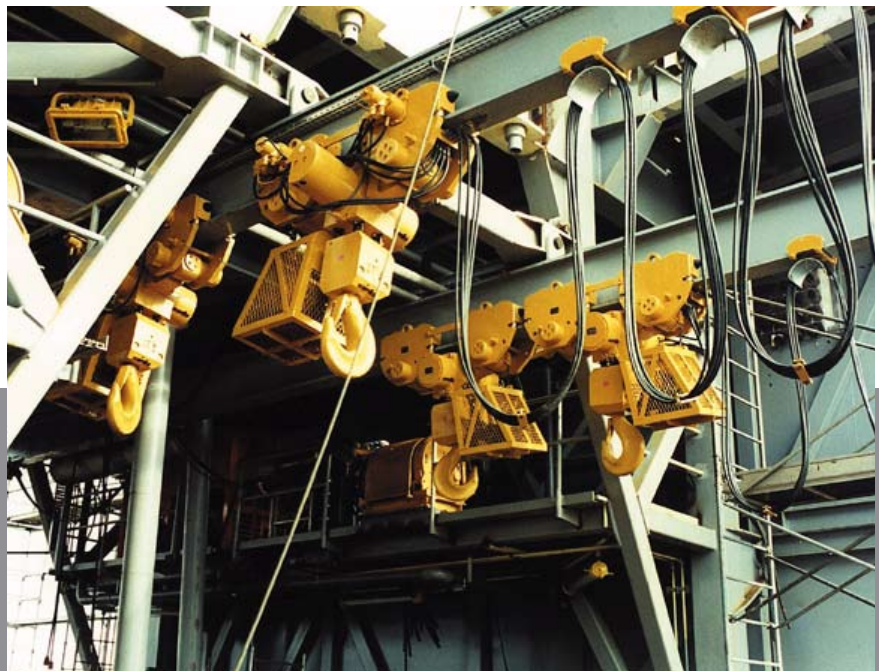
Hook Mount

| Model # | Capacity | | Minimum Headroom | | Lifting Speed | | | | Lowering Speed | | Nominal Flow | | Working Pressure | | Chain Size | Chain Weight (per mtr of lift) | | Net Weight w/3m of Lift | |
|------------------------|-------------|--------|------------------|------|---------------|---------|------------|---------|----------------|---------|--------------|-------|------------------|-------|------------|--------------------------------|-------|-------------------------|---------|
| | metric tons | #Falls | mm | in | Rated Load | No Load | Rated Load | No Load | Rated Load | No Load | L/min | g/min | bar | psi | | kg | lbs | kg | lbs |
| LCH060S | 6 | 1 | 735 | 28.9 | 5.6 | 18.4 | 5.6 | 18.4 | 5.6 | 18.4 | 48 | 12.68 | 140 | 2,030 | 16x45 | 5.8 | 12.7 | 93 | 204.6 |
| LCH120D ⁽¹⁾ | 12 | 2 | 991 | 39.0 | 2.8 | 9.2 | 2.8 | 9.2 | 2.8 | 9.2 | 48 | 12.68 | 140 | 2,030 | 16x45 | 11.5 | 25.3 | 175 | 385.0 |
| LC2H125S | 12.5 | 1 | 865 | 34.1 | 4.6 | 15.1 | 4.6 | 15.1 | 4.6 | 15.1 | 50 | 13.21 | 180 | 2,610 | 22x66 | 10.7 | 23.5 | 500 | 1,100.0 |
| LCH180T ⁽²⁾ | 18 | 3 | 1,083 | 42.6 | 1.9 | 6.2 | 1.9 | 6.2 | 1.9 | 6.2 | 48 | 12.68 | 140 | 2,030 | 16x45 | 17.2 | 37.8 | 200 | 440.0 |
| LCH250Q ⁽³⁾ | 25 | 4 | 1,180 | 46.5 | 1.4 | 4.6 | 1.4 | 4.6 | 1.4 | 4.6 | 48 | 12.68 | 140 | 2,030 | 16x45 | 23.0 | 50.6 | 430 | 946.0 |
| LC2H250D | 25 | 2 | 1,235 | 48.6 | 2.3 | 7.5 | 2.3 | 7.5 | 2.3 | 7.5 | 50 | 13.21 | 180 | 2,610 | 22x66 | 21.4 | 47.1 | 670 | 1,474.0 |
| LC2H375T | 37.5 | 3 | 1,484 | 58.4 | 1.5 | 4.9 | 1.5 | 4.9 | 1.5 | 4.9 | 50 | 13.21 | 180 | 2,610 | 22x66 | 32.1 | 70.6 | 875 | 1,925.0 |
| LC2H500Q | 50 | 4 | 1,590 | 62.6 | 1.1 | 3.6 | 1.1 | 3.6 | 1.1 | 3.6 | 50 | 13.21 | 180 | 2,610 | 22x66 | 42.8 | 94.2 | 950 | 2,090.0 |
| LCH750T | 75 | 3 | 2,338 | 92.0 | 0.5 | 1.6 | 0.5 | 1.6 | 0.5 | 1.6 | 40 | 10.57 | 150 | 2,175 | 32x90 | 73.5 | 161.7 | 2,800 | 6,160.0 |
| LCH1000Q | 100 | 4 | 2,455 | 96.7 | 0.4 | 1.3 | 0.4 | 1.3 | 0.4 | 1.3 | 40 | 10.57 | 150 | 2,175 | 32x90 | 98.0 | 215.6 | 3,245 | 7,139.0 |

(1) Maximum allowed height of lift is 20 m

(2) Maximum allowed height of lift is 13 m

(3) Maximum allowed height of lift is 10 m



Units Featured:

- 4 hydraulic trolley hoist units, 37.5 metric ton each, used on an offshore rig.

LIFTCHAIN® - Hydraulic: 6 to 100 ton

Specifications & Performance - Standard Headroom ⁽¹⁾

Trolley Mount

| Model # | Trolley Type | Capacity metric tons | Minimum Headroom | | Trolley Speed @ Rated Load ⁽²⁾ | | Trolley Nominal Flow | | Trolley Flange Adjustment | | Minimum Curve Radius | | Net Weight w/3m of Lift | |
|----------|--------------|----------------------|------------------|------|---|--------|----------------------|-------|---------------------------|----------|----------------------|-------|-------------------------|--------|
| | | | mm | in | m/min | ft/min | L/min | g/min | mm | in | m | ft | kg | lbs |
| LCH060S | Plain | 6 | 762 | 30.0 | - | - | - | - | 98-310 | 3.9-12.2 | 3 | 9.8 | 270 | 594 |
| LCH060S | Geared | 6 | 762 | 30.0 | - | - | - | - | 98-310 | 3.9-12.2 | 3 | 9.8 | 270 | 594 |
| LCH060S | Motorized | 6 | 762 | 30.0 | 15 | 49.2 | 10 | 2.64 | 98-310 | 3.9-12.2 | 3 | 9.8 | 292 | 642 |
| LCH120D | Plain | 12 | 999 | 39.3 | - | - | - | - | 131-310 | 5.2-12.2 | 3 | 9.8 | 335 | 737 |
| LCH120D | Geared | 12 | 999 | 39.3 | - | - | - | - | 131-310 | 5.2-12.2 | 3 | 9.8 | 335 | 737 |
| LCH120D | Motorized | 12 | 999 | 39.3 | 15 | 49.2 | 10 | 2.64 | 131-310 | 5.2-12.2 | 3 | 9.8 | 351 | 772 |
| LC2H125S | Motorized | 12.5 | 1,000 | 39.4 | 15 | 49.2 | 10 | 2.64 | 131-310 | 5.2-12.2 | 3 | 9.8 | 420 | 924 |
| LCH180T | Plain | 18 | 1,241 | 48.9 | - | - | - | - | 143-310 | 5.6-12.2 | 3 | 9.8 | 420 | 924 |
| LCH180T | Motorized | 18 | 1,241 | 48.9 | 15 | 49.2 | 10 | 2.64 | 143-310 | 5.6-12.2 | 3 | 9.8 | 435 | 957 |
| LCH250Q | Plain | 25 | 1,290 | 50.8 | - | - | - | - | 143-310 | 5.6-12.2 | 3 | 9.8 | 440 | 968 |
| LCH250Q | Motorized | 25 | 1,290 | 50.8 | 15 | 49.2 | 10 | 2.64 | 143-310 | 5.6-12.2 | 3 | 9.8 | 450 | 990 |
| LC2H250D | Motorized | 25 | 990 | 39.0 | 15 | 49.2 | 10 | 2.64 | 160-310 | 6.3-12.2 | 25 | 82.0 | 1,000 | 2,200 |
| LC2H375T | Motorized | 37.5 | 1,134 | 44.6 | 15 | 49.2 | 10 | 2.64 | 160-310 | 6.3-12.2 | 25 | 82.0 | 1,600 | 3,520 |
| LC2H500Q | Motorized | 50 | 1,182 | 46.5 | 15 | 49.2 | 10 | 2.64 | 160-310 | 6.3-12.2 | 25 | 82.0 | 1,600 | 3,520 |
| LCH750T | Motorized | 75 | 1,845 | 72.6 | 15 | 49.2 | 20 | 5.28 | 160-310 | 6.3-12.2 | 130 | 426.4 | 4,720 | 10,384 |
| LCH1000Q | Motorized | 100 | 1,901 | 74.8 | 15 | 49.2 | 20 | 5.28 | 160-310 | 6.3-12.2 | 130 | 426.4 | 5,900 | 12,980 |

(1) For Low Headroom version, please contact Customer Services

(2) In Rack & Pinion configuration, the trolley speed is reduced to 9 m/min (29.5 ft/min) and the oil flow is increased to 30 L/min (7.92 g/min)

Ingersoll Rand has a global network of authorized service centers which can provide inspection, testing, repair, and a variety of other maintenance services.

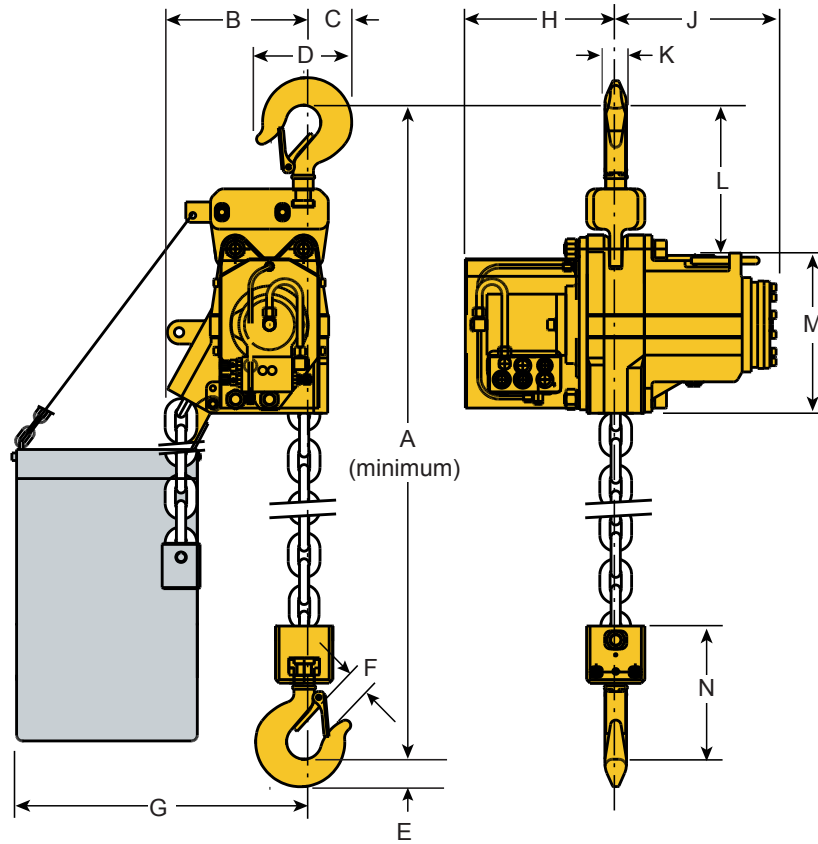
Tip:

American National Standards Institute / American Society of Mechanical Engineers (ANSI/ASME) and Ingersoll Rand recommends that a hoist or winch (or any component of said) that has been repaired should be tested prior to being placed into service.



Dimension Drawings - Hydraulic: 6 to 25 ton (4 falls) Hook Mount

See page 28 for chainbucket dimension information



| Hook Mount | A | | B | | C | | D | | E | | F | | G | | H | | J | |
|------------|-------|------|-----|-----|-----|-----|-----|-----|----|-----|----|-----|-----|------|-----|------|-----|------|
| | mm | in | mm | in | mm | in | mm | in | mm | in | mm | in | mm | in | mm | in | mm | in |
| LCH060S | 735 | 28.9 | 175 | 6.9 | 101 | 4.0 | 203 | 8.0 | 46 | 1.8 | 43 | 1.7 | 435 | 17.1 | 275 | 10.8 | 258 | 10.2 |
| LCH120D | 991 | 39.0 | 175 | 6.9 | 101 | 4.0 | 203 | 8.0 | 67 | 2.6 | 58 | 2.3 | 435 | 17.1 | 275 | 10.8 | 258 | 10.2 |
| LCH180T | 1,083 | 42.6 | 175 | 6.9 | 101 | 4.0 | 203 | 8.0 | 78 | 3.1 | 78 | 3.1 | 435 | 17.1 | 352 | 13.9 | 298 | 11.7 |
| LCH250Q | 1,180 | 46.5 | 175 | 6.9 | 101 | 4.0 | 203 | 8.0 | 99 | 3.9 | 87 | 3.4 | 435 | 17.1 | 333 | 13.1 | 316 | 12.4 |

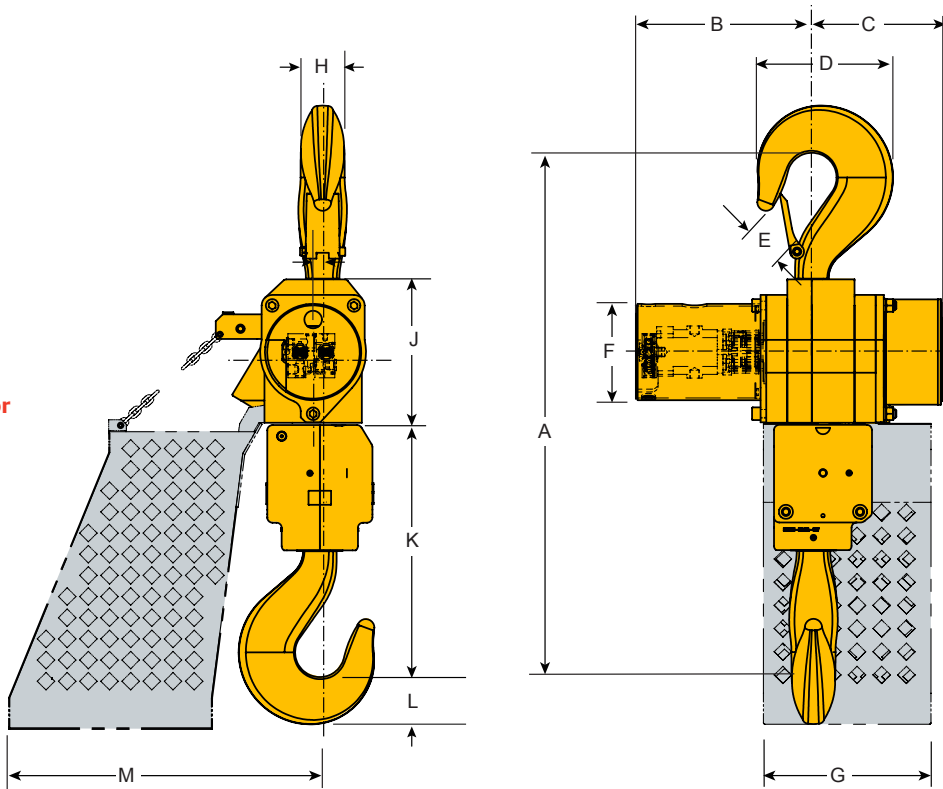
| Hook Mount | K | | L | | M | | N | |
|------------|----|-----|-----|------|-----|------|-----|------|
| | mm | in | mm | in | mm | in | mm | in |
| LCH060S | 35 | 1.4 | 241 | 9.5 | 218 | 8.6 | 223 | 8.8 |
| LCH120D | 50 | 2.0 | 280 | 11.0 | 282 | 11.1 | 423 | 16.7 |
| LCH180T | 62 | 2.4 | 320 | 12.6 | 282 | 11.1 | 478 | 18.8 |
| LCH250Q | 87 | 3.4 | 368 | 14.5 | 282 | 11.1 | 527 | 20.7 |

Dimensions are subject to change, contact Customer Services for certified prints.

Dimension Drawings - Hydraulic: 12.5 to 100 ton

Hook Mount

See page 28 for
chainbucket
dimension
information



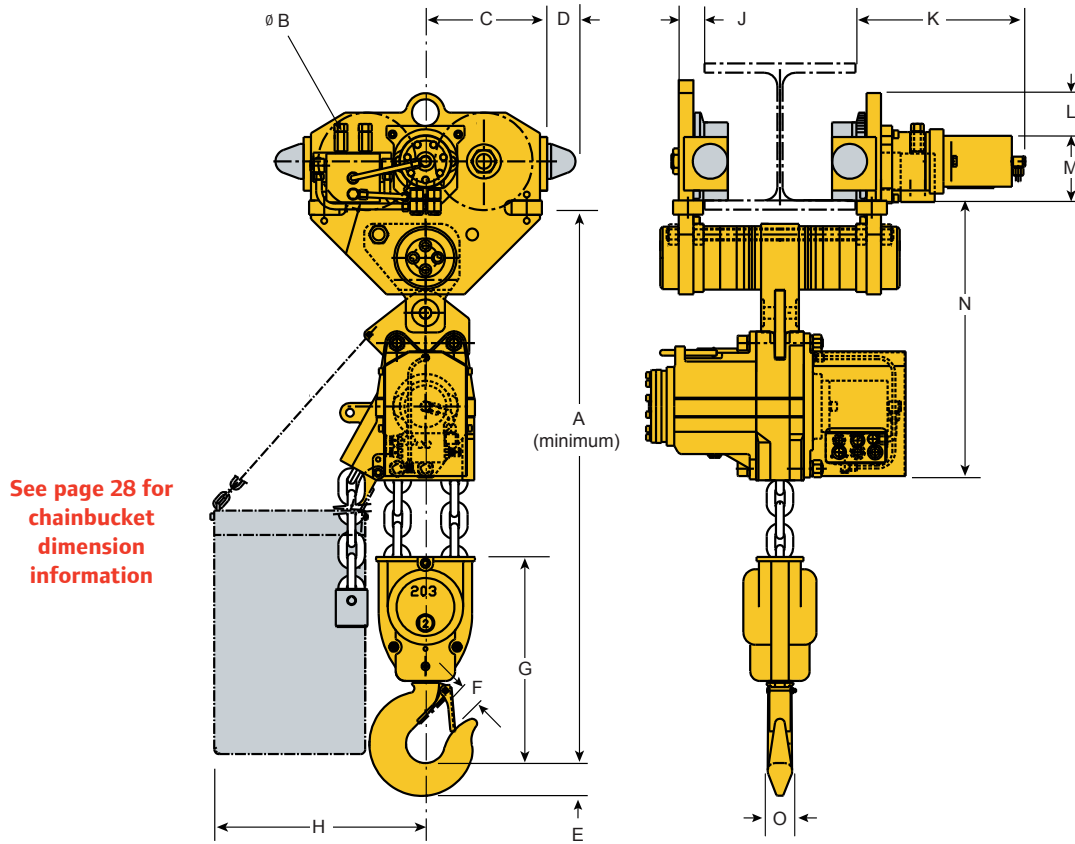
| Hook Mount | A | | B | | C | | D | | E | | F | | G | | H | | J | |
|------------|-------|------|-----|------|-----|------|-----|------|-----|-----|-----|------|-------|------|-----|-----|-----|------|
| | mm | in | mm | in | mm | in | mm | in | mm | in | mm | in | mm | in | mm | in | | |
| LC2H125S | 865 | 34.1 | 446 | 17.6 | 265 | 10.4 | 222 | 8.7 | 58 | 2.3 | 273 | 10.7 | 475 | 18.7 | 57 | 2.2 | 391 | 15.4 |
| LC2H250D | 1,235 | 48.6 | 446 | 17.6 | 265 | 10.4 | 340 | 13.4 | 87 | 3.4 | 273 | 10.7 | 475 | 18.7 | 80 | 3.1 | 391 | 15.4 |
| LC2H375T | 1,484 | 58.4 | 500 | 19.7 | 373 | 14.7 | 390 | 15.4 | 103 | 4.1 | 273 | 10.7 | 475 | 18.7 | 125 | 4.9 | 407 | 16.0 |
| LC2H500Q | 1,590 | 62.6 | 527 | 20.7 | 346 | 13.6 | 440 | 17.3 | 118 | 4.6 | 273 | 10.7 | 475 | 18.7 | 140 | 5.5 | 416 | 16.4 |
| LCH750T | 2,338 | 92.0 | 560 | 22.0 | 688 | 27.1 | 574 | 22.6 | 156 | 6.1 | 273 | 10.7 | 912 | 35.9 | 180 | 7.1 | 774 | 30.5 |
| LCH1000Q | 2,455 | 96.7 | 597 | 23.5 | 652 | 25.7 | 610 | 24.0 | 180 | 7.1 | 273 | 10.7 | 1,102 | 43.4 | 200 | 7.9 | 774 | 30.5 |

| Hook Mount | K | | L | | M | |
|------------|-------|------|-----|-----|-------|------|
| | mm | in | mm | in | mm | in |
| LC2H125S | 296 | 11.7 | 67 | 2.6 | 836 | 32.9 |
| LC2H250D | 573 | 22.6 | 94 | 3.7 | 836 | 32.9 |
| LC2H375T | 714 | 28.1 | 132 | 5.2 | 836 | 32.9 |
| LC2H500Q | 763 | 30.0 | 150 | 5.9 | 836 | 32.9 |
| LCH750T | 1,055 | 41.5 | 190 | 7.5 | 1,165 | 45.9 |
| LCH1000Q | 1,111 | 43.7 | 250 | 9.8 | 1,365 | 53.7 |

Dimensions are subject to change, contact Customer Services for certified prints.

Dimension Drawings - Hydraulic: 6 to 25 ton (4 falls)

Trolley Mount - Standard Headroom



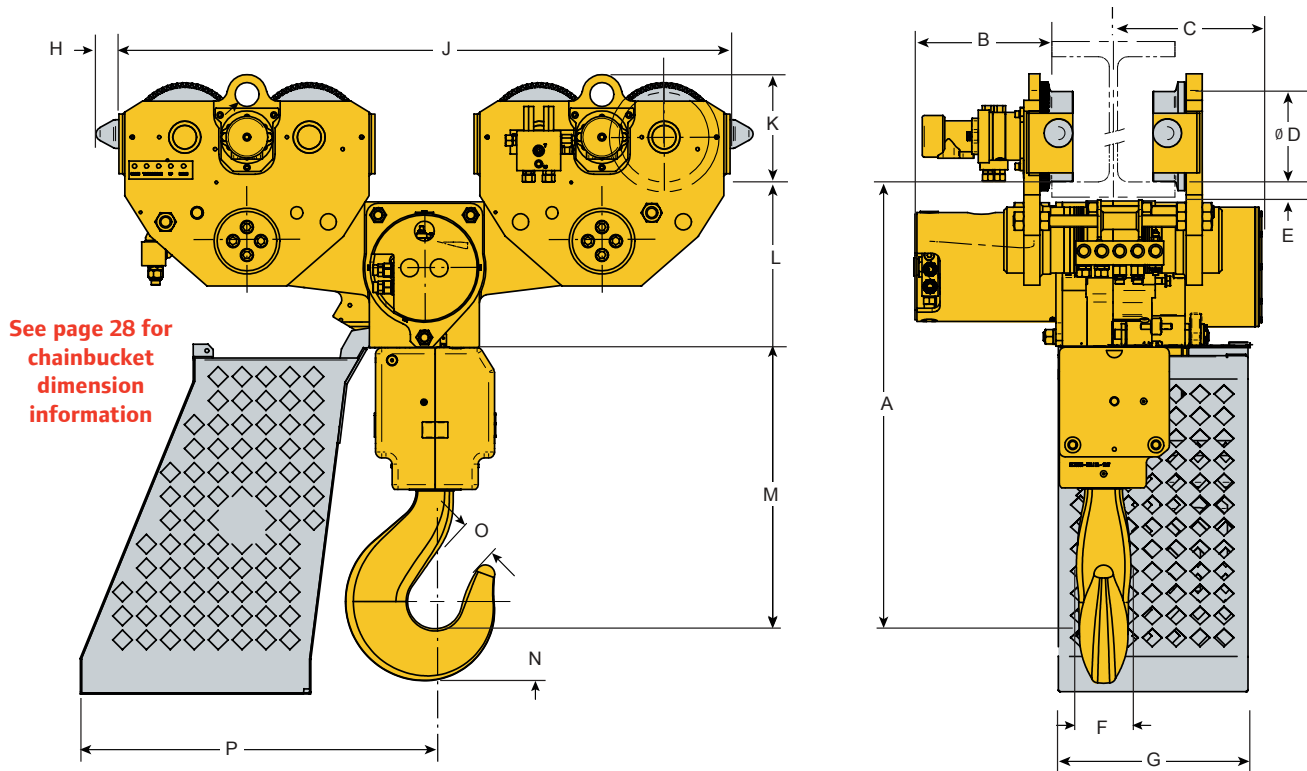
| Trolley Mount | A | | B | | C | | D | | E | | F | | G | | H | | J | |
|---------------|-------|------|-----|-----|-----|------|----|-----|----|-----|----|-----|-------|------|-----|------|----|-----|
| | mm | in | mm | in | mm | in | mm | in | mm | in | mm | in | mm | in | mm | in | mm | in |
| LCH060S | 762 | 30.0 | 160 | 6.3 | 270 | 10.6 | 50 | 2.0 | 49 | 1.9 | 43 | 1.7 | 228.5 | 9.0 | 494 | 19.4 | 42 | 1.7 |
| LCH120D | 999 | 39.3 | 160 | 6.3 | 253 | 10.0 | 58 | 2.3 | 67 | 2.6 | 58 | 2.3 | 423.5 | 16.7 | 435 | 17.1 | 52 | 2.0 |
| LC2H125S | 1,000 | 39.4 | 160 | 6.3 | 253 | 10.0 | 58 | 2.3 | 67 | 2.6 | 58 | 2.3 | 296 | 11.7 | 916 | 36.1 | 86 | 3.4 |
| LCH180T | 1,241 | 48.9 | 225 | 8.9 | 337 | 13.3 | 58 | 2.3 | 80 | 3.1 | 78 | 3.1 | 484 | 19.1 | 454 | 17.9 | 69 | 2.7 |
| LCH250Q | 1,290 | 50.8 | 225 | 8.9 | 337 | 13.3 | 58 | 2.3 | 94 | 3.7 | 87 | 3.4 | 533 | 21.0 | 435 | 17.1 | 69 | 2.7 |

| Trolley Mount | K | | L | | M | | N | | O | |
|---------------|-----|------|----|-----|-----|-----|-----|------|----|-----|
| | mm | in | mm | in | mm | in | mm | in | mm | in |
| LCH060S | 339 | 13.3 | 43 | 1.7 | 177 | 7.0 | 502 | 19.8 | 39 | 1.5 |
| LCH120D | 350 | 13.8 | 64 | 2.5 | 157 | 6.2 | 655 | 25.8 | 57 | 2.2 |
| LC2H125S | 347 | 13.7 | 88 | 3.5 | 133 | 5.2 | 700 | 27.6 | 57 | 2.2 |
| LCH180T | 360 | 14.2 | 81 | 3.2 | 189 | 7.4 | 710 | 28.0 | 67 | 2.6 |
| LCH250Q | 360 | 14.2 | 81 | 3.2 | 189 | 7.4 | 710 | 28.0 | 85 | 3.3 |

Dimensions are subject to change, contact Customer Services for certified prints.

Hydraulic Chain Hoists

Dimension Drawings - Hydraulic: 25 (2 falls) to 100 ton Trolley Mount - Standard Headroom



| Trolley Mount | A | | B | | C | | D | | E | | F | | G | | H | | J | |
|---------------|-------|------|-----|------|-----|------|-----|-----|----|-----|-----|-----|-------|------|----|-----|-------|-------|
| | mm | in | mm | in | mm | in | mm | in | mm | in | mm | in | mm | in | mm | in | mm | in |
| LC2H250D | 990 | 39.0 | 343 | 13.5 | 265 | 10.4 | 160 | 6.3 | 40 | 1.6 | 84 | 3.3 | 475 | 18.7 | 58 | 2.3 | 1,246 | 49.1 |
| LC2H375T | 1,134 | 44.6 | 372 | 14.6 | 373 | 14.7 | 225 | 8.9 | 40 | 1.6 | 125 | 4.9 | 475 | 18.7 | 58 | 2.3 | 1,556 | 61.3 |
| LC2H500Q | 1,182 | 46.5 | 372 | 14.6 | 346 | 13.6 | 225 | 8.9 | 40 | 1.6 | 140 | 5.5 | 475 | 18.7 | 58 | 2.3 | 1,556 | 61.3 |
| LCH750T | 1,845 | 72.6 | 376 | 14.8 | 684 | 26.9 | 225 | 8.9 | 70 | 2.8 | 180 | 7.1 | 1,102 | 43.4 | 58 | 2.3 | 3,254 | 128.1 |
| LCH1000Q | 1,901 | 74.8 | 376 | 14.8 | 652 | 25.7 | 225 | 8.9 | 70 | 2.8 | 200 | 7.9 | 1,021 | 40.2 | 58 | 2.3 | 3,254 | 128.1 |

| Trolley Mount | K | | L | | M | | N | | O | | P | |
|---------------|-----|------|-----|------|-------|------|-----|-----|-----|-----|-------|------|
| | mm | in | mm | in | mm | in | mm | in | mm | in | mm | in |
| LC2H250D | 220 | 8.7 | 411 | 16.2 | 572 | 22.5 | 94 | 3.7 | 87 | 3.4 | 836 | 32.9 |
| LC2H375T | 270 | 10.6 | 416 | 16.4 | 714 | 28.1 | 132 | 5.2 | 103 | 4.1 | 836 | 32.9 |
| LC2H500Q | 270 | 10.6 | 416 | 16.4 | 763 | 30.0 | 150 | 5.9 | 118 | 4.6 | 836 | 32.9 |
| LCH750T | 270 | 10.6 | 790 | 31.1 | 1,055 | 41.5 | 190 | 7.5 | 152 | 6.0 | 1,402 | 55.2 |
| LCH1000Q | 270 | 10.6 | 790 | 31.1 | 1,111 | 43.7 | 212 | 8.3 | 180 | 7.1 | 1,366 | 53.8 |

Dimensions are subject to change, contact Customer Services for certified prints.

How To Order

Model identification Codes

How to order standard equipment

Specify the complete model number as shown. Specify beam size, type and flange width. Note that 0 (zero) is a number, not a letter in model part numbers.

Example: LC2A250QIP3RE10M15J12-E

| LC2 | A | 250Q | IP | 3 | RE | 10M | 15 | J12 | -E |
|---|---|---|--|--|--|--|--|---|---|
| Series LC = LIFTCHAIN® Series LC2 = LIFTCHAIN® Series, 2nd generation | Power type A = Air H = Hydraulic | Body type IP = Industrial range, pendent control IC = Industrial range, pull cord IF = Industrial range, full flow control (Hydraulic models only) | Control type Only with IC models 1 = Pull cord Only with IP models 2 = 1 motor pendent 3 = 2 motor pendent ⁽³⁾ 0 = No pendent or no control valve | Height of lift 3M = 3 meter standard lift XXM = Specified length in meters | Control length 0 = no control hose XX = Specified length in meters | CE package -E = Compliance with the European Machinery Directives | Load capacity / falls of chain 015S = 1.5 ton / single fall 030D = 3 ton / two falls 040S = 4 ton / single fall 060S = 6 ton / single fall 080D = 8 ton / two falls 120D = 12 ton / two falls 125S = 12.5 ton / single fall 180T = 18 ton / three falls 250D = 25 ton / two falls 250Q = 25 ton / four falls 375T = 37.5 ton / three falls 500Q = 50 ton / four falls 750T = 75 ton / three falls 1000Q = 100 ton / four falls | Suspension A = Fixed lug C = Swivel top hook PU ⁽¹⁾ = Plain rigid universal trolley (flat or tapered beam / 1.5 to 8 ton) PE ⁽¹⁾ = Plain rigid trolley (flat beam / 12 to 25 ton) PN ⁽¹⁾ = Plain rigid trolley (tapered beam / 12 to 25 ton) GU ⁽¹⁾ = Geared rigid universal trolley (flat or tapered beam / 1.5 to 8 ton) GE ⁽¹⁾ = Geared rigid trolley (flat beam / 12 ton only) GN ⁽¹⁾ = Geared rigid trolley (tapered beam / 12 ton only) VU ⁽¹⁾⁽²⁾ = Vane motorized rigid universal trolley (flat or tapered beam / 1.5 to 8 ton) VE ⁽¹⁾⁽²⁾ = Vane motorized rigid trolley (flat beam / 12 to 50 ton) VN ⁽¹⁾⁽²⁾ = Vane motorized rigid trolley (tapered beam / 12 to 50 ton) RU = Gear motorized rigid universal trolley (flat or tapered beam) 6,000 and 8,000 kg RE = Gear motorized rigid trolley (flat beam) 12 to 100 ton RN = Gear motorized rigid trolley (tapered beam) 12 to 100 ton | Options A = Standard chain bucket B = Large chain bucket C = Extra large chain bucket J = Air Line Accessories.* (Air only) Specify J1: Filter, J2: Lubricator, J3: Regulator or any numerical combination K = Cast iron pendent (Air only) L = Low Temperature (-20°C) Certified (includes 3.1b material traceability certificates) P = Marine paint 150µ QZ = Offshore paint 290µ including sandblasting T1 = Spark resistant package (ATEX zone 1**) |

(1) Add "L" for low headroom trolley, e.g. LVU or LRU.

(2) Add the letter "R" for rack & pinion configuration (e.g. RER) - on flat beam only.

(3) For hydraulic trolley hoists, pendent configuration is joystick-style.

* For protection during shipment and due to the wide range of installation variables the air line accessories are not installed on the units at the factory. All accessories are shipped loose for client installation.

** Option T1 (ATEX Zone 1) includes the following:

For the hoist: - Cast iron pendent - Bronze coated bottom hook assy

For the trolley: - Solid bronze wheels - Pinion drive in solid bronze or stainless steel - Cast iron pendent
 - Bronze coated hand wheel for geared trolley - Brass hand chain guide for geared trolley



Compliance with the European Machinery Directives:

LCA/LC2A and LCH

The LIFTCHAIN® air and hydraulic models can be CE marked and fitted as standard with all the safety devices for compliance with the European Machinery Directives 89/392/EEC, 91/368/EEC, 93/44/EEC and 93/68/EEC. In this case, they are delivered with the CE mark and an EC declaration of conformity.

LCA/LC2A and LCH delivered without control

These models are considered as part machines intended for incorporation into assemblies, therefore they are not CE marked but are delivered with a declaration of incorporation. However they are fitted as standard with safety options to allow their incorporation into systems which have to be in compliance with the CE Directives (89/392/EEC, 91/368/EEC, 93/44/EEC, 93/68/EEC).

Service & Accessories

Service

Winch and Hoist Service Made Simple

By choosing Ingersoll Rand Winch and Hoist equipment you've made a critical investment in the performance and life of your operations. We recognize this investment and are committed to providing you with a responsive and flexible program for maintaining your equipment and reducing downtime.

Ingersoll Rand can tailor a variety of service options to meet your application's specific requirements. Please contact us to make an appointment to discuss a customized service plan that best suits your needs.

Installation and Start-Up Assistance



Inspector and Operator Training



System Inspections

Service & Accessories

Service

Repairs Done Right



Routine Maintenance



Service and Repair



Equipment Refurbishments

Service & Accessories

Accessories

FRL's

| Port ⁽¹⁾ Thread | Port ⁽¹⁾ Size | Part Number | CPN | Item Type | Combination Weight | | Inlet Pressure Max | | Temp Range | | Flow | | Filter | Regulator | Lubricator |
|-------------------------------|-----------------------------|------------------|----------|------------------------|-----------------------|------|--------------------------|------|---------------|---------|------|---------------------|----------------|---------------------------|----------------|
| | | | | | lbs | kg | psi | bar | F | C | scfm | m ³ /min | | | |
| NPT | 3/4" | C38451-810 | 15317506 | 3-Piece Combination | 18.2 | 8.2 | 250 | 17.2 | 23-175 | -5-79.4 | 199 | 5.6 | F35451-410 | R37451-600 | L36351-110 |
| BSP | 3/4" | 79990066 | 38529681 | 3-Piece Combination | 18.2 | 8.2 | 250 | 17.2 | 32-150 | 0-65.5 | 220 | 6.2 | F39-C6-SL00-29 | R21-C6-000-29 | L39-C6-LD00-29 |
| NPT | 1-1/4" | - ⁽²⁾ | - | - | 34.7 | 15.7 | 150 | 10.3 | 32-150 | 0-65.5 | 800 | 22.6 | F35571-410 | R37571-100 ⁽³⁾ | L36571-110 |
| BSP | 1-1/4" | 79990070 | 38529749 | 3-Piece Combination | 32.7 | 14.8 | 150 | 10.3 | 32-125 | 0-51.6 | 800 | 22.6 | F35-CA-A29 | R31-CA-000-29 | L40-CA-A29 |

(1) Hoists with a 3/4" BSP inlet port may use either 3/4" NPT or BSP fittings. (2) The 1-1/4" NPT FRL's are not offered in combination. Order separately by part number and use 1-1/4" nipples to make combinations. A 1-1/4" BSP to NPT nipple must be used to connect to the hoist. (3) R37571-100 is not supplied with a gauge. Order Part Number 104502 for a 0-160 psi gauge. (4) See Accessory catalog for additional specifications.

Lubricants

| Part Number | CPN | Description | Where Used | Size |
|---------------------------|----------------------------------|---|---|---|
| Lubri-Link-Green LLG-5 | 71124754 71261291 | Triple protection USDA approved lubricant. Extreme pressure formula and corrosion inhibitors to prevent formulation of rust. | Hook and Latch Pivot Points, Chain | 16 oz (.47 L) Spray Bottle 5 gal (18.9 L) Bulk Container |
| 50P 50G 68 8 lb | 03875705 03875713 03820016 | Detergent free SAE 50W oil with formulation to inhibit the formation of rust. High performance, extreme pressure, multiple purpose lubricating grease. | Chain Upper & Lower Hook Thrust Bearings, Trolley Wheel Bearings & Gear | 1 pt (.47 L) 1 gal (3.78 L) 8 lb (3.62 kg) Can |
| 29665 | 04205936 | Detergent free spindle oil with viscosity of 155-165 S.U.S. at 100 deg F and aniline pt of 217 deg F. | Air Line Lubricator | 1 qt (.94 L) |



Pendent Handles*

| Part Number | CPN | Description | Air Inlet Sizes (BSP) |
|-------------|----------|--------------------------------|-----------------------|
| PHS2E | 38559233 | single motor pendent | 1/4" |
| PHS2E-U | 38559258 | single motor pendent w/ E-Stop | 1/4" |
| PHS4E | 38559274 | two motor pendent | 1/4" |
| PHS4E-U | 38559290 | two motor pendent w/ E-Stop | 1/4" |

* View parts manual MHD56297 for hose, fittings, etc.

Bulk Load Chains

Bulk Load Chains for LIFTCHAIN® Series

Note: Load chain is corrosion resistant treated as standard (grade 80)

| Used on models | Chain Part Number | Chain size Dia x pitch (mm) | Length in meter | Weight per lineal meter | CPN |
|------------------------|-------------------|--------------------------------|--------------------|----------------------------|----------|
| LC2A015S/030D | LC824-G8ZP | 8 x 24 | 100 | 1.5 | 38532172 |
| LCA030S/060D | LC1336-G8ZP | 13 x 36 | 200 | 3.85 | 38527677 |
| LCA060S/120D/180T/250Q | LC1645-G8ZP | 16 x 45 | 100 | 5.75 | 38527800 |
| LC2A125S to 500Q | LC2266-G8ZP | 22 x 66 | 100 | 11 | 38537544 |
| Used on models | Chain Part Number | Chain size Dia x pitch (mm) | Length in meter | Weight per length (kg) | CPN |
| LC2A015S/030D | LC824-G8ZP-100M | 8 x 24 | 100 | 150 | 38756557 |
| LC2A015S/030D | LC824-G8ZP-200M | 8 x 24 | 200 | 300 | 38756540 |
| LCA030S/060D | LC1336-G8ZP-100M | 13 x 36 | 100 | 385 | 38756508 |
| LCA060S/120D/180T/250Q | LC1645-G8ZP-100M | 16 x 45 | 100 | 575 | 38756524 |
| LC2A125S to 500Q | LC2266-G8ZP-100M | 22 x 66 | 100 | 1,100 | 38756532 |

All accessories should be ordered using the corresponding CPN, except for customers within the U.S. and Canada. These customers should use the noted part number.

Service & Accessories

Service Kits

To insure the highest quality repair and reduce repair turnaround time Ingersoll Rand has prepackaged the following kits for the LC2A air chain hoists. Each kit contains all of the necessary parts required to bring a subassembly or complete hoist back to original Ingersoll Rand specifications. Kit contents are defined in the Parts Manual MHD56297.

| Model | CPN | P/N | Description |
|-----------------------|----------|----------|---|
| LC2A015S and LC2A030D | 38780904 | 76500089 | Brake Repair Kit for 1.5 and 3 ton Single Fall Hoist |
| LC2A015S and LC2A030D | 38780912 | 76500090 | Center Section Repair Kit for 1.5 and 3 Ton Hoist Industrial |
| LC2A015S and LC2A030D | 38780037 | 76500002 | Overhaul Kit for 1.5 and 3 Ton Hoist Industrial Pendant with E-Stop |
| LC2A015S and LC2A030D | 38780029 | 76500001 | Overhaul Kit for 1.5 and 3 Ton Hoist Industrial Pendant w/o E-Stop |
| LC2A015S to LC2A250Q | 38780805 | 76500079 | Rebuild Kit for 2 Lever Pendant w/o E-Stop |
| LC2A015S to LC2A250Q | 38780813 | 76500080 | Rebuild Kit for 2 Lever Pendant with E-Stop |
| LC2A015S to LC2A250Q | 38780821 | 76500081 | Rebuild Kit for 4 Lever Pendant w/o E-Stop |
| LC2A015S to LC2A250Q | 38780839 | 76500082 | Rebuild Kit for 4 Lever Pendant with E-Stop |
| LC2A015S and LC2A030D | 38780938 | 76500092 | Reducer Repair Kit for 1.5 and 3 Ton Hoist |
| LC2A015S to LC2A250Q | 38781423 | 76500141 | Repair Kit for 2 Lever Pendant w/o E-Stop |
| LC2A015S to LC2A250Q | 38781431 | 76500142 | Repair Kit for 2 Lever Pendant with E-Stop |
| LC2A015S to LC2A250Q | 38781928 | 76500161 | Repair Kit for 3.5 and 6 hp Motor |
| LC2A015S and LC2A030D | 38781340 | 76500133 | Repair Kit for 3.5 hp Motor Industrial without E-Stop |
| LC2A015S and LC2A030D | 38781365 | 76500135 | Repair Kit for 3.5 hp Motor Industrial with E-Stop |
| LC2A015S to LC2A250Q | 38792115 | 76500250 | Repair Kit for 3.5 and 6 hp Motor Rope Control w/o E-Stop |
| LC2A015S to LC2A250Q | 38792123 | 76500251 | Repair Kit for 3.5 and 6 hp Motor Rope Control with E-Stop |
| LC2A015S to LC2A250Q | 38781449 | 76500143 | Repair Kit for 4 Lever Pendant w/o E-Stop |
| LC2A015S to LC2A250Q | 38781456 | 76500144 | Repair Kit for 4 Lever Pendant with E-Stop |
| LC2A040S to LC2A250Q | 38791844 | 76500223 | Brake Repair Kit for 4 Ton Single Fall to 25 ton Quad fall |
| LC2A040S and LC2A80D | 38791893 | 76500228 | Center Section Repair Kit for 4 and 8 Ton Hoist Industrial |
| LC2A040S and LC2A80D | 38792008 | 76500239 | Overhaul Kit for 4 and 8 Ton Hoist Industrial Pendant w/o E-stop |
| LC2A040S and LC2A80D | 38792016 | 76500240 | Overhaul Kit for 4 and 8 Ton Hoist Industrial Pendant with E-Stop |
| LC2A040S to LC2A250Q | 38791802 | 76500219 | Repair Kit for 6 hp Motor Industrial w/o E-Stop |
| LC2A040S to LC2A250Q | 38791810 | 76500220 | Repair Kit for 6 hp Motor Industrial with E-Stop |
| LC2A040S and LC2A80D | 38791851 | 76500224 | Reducer Repair Kit for 4 and 8 Ton Hoist |
| LC2A060S and LC2A120D | 38792057 | 76500244 | Overhaul Kit for 6 and 12 Ton Hoist Industrial Pendant w/o E-stop |
| LC2A060S and LC2A120D | 38792065 | 76500245 | Overhaul Kit for 6 and 12 Ton Hoist Industrial Pendant with E-Stop |
| LC2A060S to LC2A250Q | 38791919 | 76500230 | Reducer Repair Kit for 6 to 25 Ton Hoist |
| LC2A060S and LC2A120D | 38791950 | 76500234 | Center Section Repair Kit for 6 and 12 Ton Hoist Industrial |
| LC2A180T and LC2A250Q | 38791984 | 76500237 | Center Section Repair Kit for 18 and 25 Ton Hoist Industrial |
| LC2A180T and LC2A250Q | 38792107 | 76500249 | Overhaul Kit for 18 and 25 Ton Hoist Industrial Pendant with E-Stop |
| LC2A180T and LC2A250Q | 38792099 | 76500248 | Overhaul Kit for 18 and 25 Ton Hoist Industrial Pendant w/o E-Stop |

Manuals can be downloaded from www.irtools.com free of charge.

The use of other than genuine Ingersoll Rand replacement parts may result in safety hazards, decreased performance and increased maintenance and may invalidate all warranties.



Service & Accessories

Chain Buckets for Air

Chain Buckets (Check the number of falls to match the height of lift and the bucket capacity)

| Part Number/CPN (Option code) | Use on Hoist Series | Corresponding H.O.L. | | Lineal Capacity | | Chain Container Dimension "X" | | | | Material |
|----------------------------------|------------------------|-------------------------|-------|-----------------|-------|-------------------------------|------|---------------------|------|----------|
| | | meters | feet | meters | feet | Hook Mount mm | in | Trolley Mount mm | in | |
| CB2-030D-12M (A) / 38753273 | LC2A015S | 12 | 39.3 | 12 | 39.3 | 628 | 24.7 | 667 | 26.3 | Canvas |
| | LC2A030D | 6 | 19.6 | | | 657 | 25.9 | 712 | 28.0 | |
| | LC2A060Q | 3 | 9.8 | | | 721 | 28.4 | 769 | 30.3 | |
| CB2-030D-30M (B) / 38753281 | LC2A015S | 30 | 98.4 | 30 | 98.4 | 728 | 28.7 | 767 | 30.2 | Canvas |
| | LC2A030D | 15 | 49.2 | | | 757 | 29.8 | 812 | 32.0 | |
| | LC2A060Q | 7.5 | 24.6 | | | 821 | 32.3 | 869 | 34.2 | |
| CB2-030D-60M (C) / 38753299 | LC2A015S | 60 | 196.8 | 60 | 196.8 | 828 | 32.6 | 867 | 34.1 | Canvas |
| | LC2A030D | 30 | 98.4 | | | 857 | 33.7 | 912 | 35.9 | |
| | LC2A060Q | 15 | 49.2 | | | 921 | 36.3 | 969 | 38.1 | |
| CB2-080D-12M (A) / 38794806 | LC2A040S | 12 | 39.3 | 12 | 39.3 | 847 | 33.3 | 856 | 33.7 | Canvas |
| | LC2A080D | 6 | 19.6 | | | 890 | 35.0 | 896 | 35.3 | |
| CB2-080D-25M (B) / 38794814 | LC2A040S | 25 | 82.0 | 25 | 82.0 | 947 | 37.3 | 956 | 37.6 | Canvas |
| | LC2A080D | 12 | 39.3 | | | 990 | 39.0 | 996 | 39.2 | |
| CB2-080D-40M (C) / 38794822 | LC2A040S | 40 | 131.2 | 40 | 131.2 | 1,107 | 43.6 | 1,116 | 43.9 | Metal |
| | LC2A080D | 20 | 65.6 | | | 1,150 | 45.3 | 1,156 | 45.5 | |
| | LC2A060S | 12 | 39.3 | 12 | 39.3 | 1,065 | 41.9 | 1,065 | 41.9 | |
| CB2-120D-12M (A) / 38794830 | LC2A120D | 6 | 19.6 | | | 1,085 | 42.7 | 1,135 | 44.7 | Canvas |
| | LC2A180T | 4 | 13.1 | | | 1,142 | 45.0 | 1,273 | 50.1 | |
| | LC2A250Q | 3 | 9.8 | | | 1,189 | 46.8 | 1,273 | 50.1 | |
| | LC2A060S | 26 | 85.3 | 24 | 78.7 | 1,265 | 49.8 | 1,265 | 49.8 | |
| CB2-120D-26M (B) / 38794848 | LC2A120D | 13 | 42.6 | | | 1,285 | 50.6 | 1,335 | 52.6 | Metal |
| | LC2A180T | 8 | 26.2 | | | 1,342 | 52.8 | 1,473 | 58.0 | |
| | LC2A250Q | 6 | 19.6 | | | 1,389 | 54.7 | 1,473 | 58.0 | |
| | LC2A060S | 40 | 131.2 | 40 | 131.2 | 1,265 | 49.8 | 1,265 | 49.8 | |
| CB2-120D-40M (C) / 38794855 | LC2A120D | 20 | 65.6 | | | 1,285 | 50.6 | 1,335 | 52.6 | Metal |
| | LC2A180T | 13 | 42.6 | | | 1,342 | 52.8 | 1,473 | 58.0 | |
| | LC2A250Q | 10 | 32.8 | | | 1,389 | 54.7 | 1,473 | 58.0 | |

Chain containers are a simple and economical way of capturing the load chain and preventing it from interfering with the load, hoist control cords, or other objects.

A variety of standard sizes are available and we are always ready to provide quotations for specialty containers for long lifts or where space restrictions may require custom design.

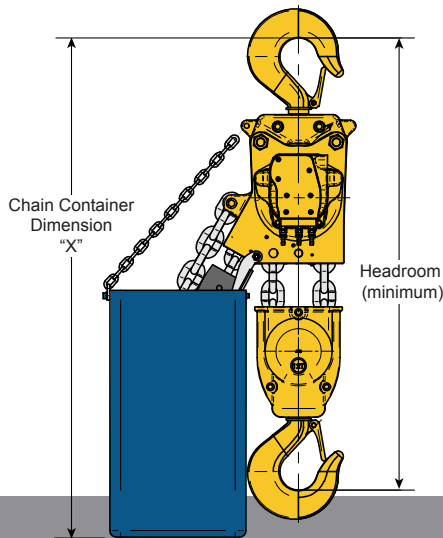


Service & Accessories

Chain Buckets for Hydraulic

3 to 25 Ton Lifting Capacity

| Part Number/CPN (Option code) | Use on Hoist Series | Corresponding H.O.L. | | Lineal Capacity | | Chain Container Dimension "X" | | | | Material |
|----------------------------------|------------------------|-------------------------|-------|-----------------|-------|-------------------------------|------|---------------------|------|----------|
| | | meters | feet | meters | feet | Hook Mount mm | in | Trolley Mount mm | in | |
| CB120D-12M (A) / 38558961 | LCH060S | 12 | 39.4 | 12 | 39.4 | 1,091 | 43.0 | 1,095 | 43.1 | Canvas |
| | LCH120D | 6 | 19.7 | | | 1,125 | 44.3 | 1,137 | 44.8 | |
| | LCH180T | 4 | 13.1 | | | 1,169 | 46.0 | 1,319 | 51.9 | |
| | LCH250Q | 3 | 9.8 | | | 1,220 | 48.0 | 1,319 | 51.9 | |
| CB120D-26M (B) / 38558979 | LCH060S | 26 | 85.3 | 26 | 85.3 | 1,286 | 50.6 | 1,290 | 50.8 | Metal |
| | LCH120D | 13 | 42.6 | | | 1,320 | 52.0 | 1,332 | 52.4 | |
| | LCH180T | 8.5 | 27.9 | | | 1,364 | 53.7 | 1,514 | 59.6 | |
| | LCH250Q | 6.5 | 21.3 | | | 1,415 | 55.7 | 1,514 | 59.6 | |
| CB120D-40M (C) / 38761003 | LCH060S | 40 | 131.2 | 40 | 131.2 | 1,286 | 50.6 | 1,290 | 50.8 | Metal |
| | LCH120D | 20 | 65.6 | | | 1,320 | 52.0 | 1,332 | 52.4 | |
| | LCH180T | 13 | 42.6 | | | 1,364 | 53.7 | 1,514 | 59.6 | |
| | LCH250Q | 10 | 32.8 | | | 1,415 | 55.7 | 1,514 | 59.6 | |



Tip:

Remember that head room is measured from saddle of top hook (or tread line of wheel on trolley mounts) to saddle of bottom hook. Depending on length of lift, and the size of chain container being used, the container may hang lower than the saddle of bottom hook.



Service & Accessories

PT and GT Series Trolley

1/2 – 20 metric ton Capacity

Features

PT plain and GT hand geared hook-on style trolley rated for manual or powered hoists having the versatility to fit most types of beams with compatibility to all hoist brands.

- **The 5:1 design factor allows use with both manual or powered hoists. Meets pertinent U.S. (ASME/ANSI and CMAA), Canadian and European standards.**
- The side plates, including the rail sweeps/drop stops, are made of cold formed steel for strength, durability and even load distribution.
- The wheels are cast iron with the “**Universal**” tread fits either flat or tapered beams.
- Wheels run on sealed, “**Lube-for-Life**” ball bearings. Smoother rolling with less effort and maintenance.

Options:

- **FDA approved nickel composite plated finish** for corrosion resistance.
- Solid Bronze alloy wheels for maximum spark resistance.
- Wider hanger shaft capabilities allow standard trolleys fit almost any S-Beam or patented track beam. **Extension shaft kits are stocked.**
- Additional gearing in the 20 ton trolley allows operation by one hand chain.
- Painted black for “Universal” coordination with hoists of all colors.



PT010-8



GT020-8-10



GT100-12-10

PT and GT Hook-On Trolley Specifications

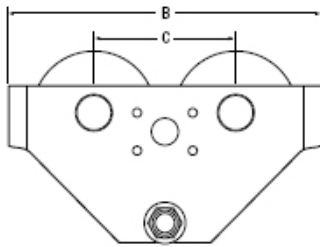
| Model No. | Capacity | | Standard Flange Adjustment in. | Min. Beam Height in. | Min. Curve Radius in. | Weight lbs | Kit no. (Order separate) | Optional Flange | |
|------------------------|----------|--------|--------------------------------|----------------------|-----------------------|------------|--------------------------|-----------------|------------|
| | tons | lbs | | | | | | Adjustment in. | Weight lbs |
| Standard Series | | | | | | | | | |
| PT005-8 | 1/2 | 1,100 | 2.63-8.00 | 4 | 36 | 19.7 | PT005-WFK | 8-13 | 5.5 |
| PT010-8 | 1 | 2,200 | 3.00-8.00 | 5 | 36 | 30.7 | PT010-WFK | 8-13 | 9.5 |
| GT010-8-10 | 1 | 2,200 | 3.00-8.00 | 5 | 36 | 43.7 | PT010-WFK | 8-13 | 9.5 |
| PT020-8 | 2 | 4,400 | 3.32-8.00 | 6 | 48 | 60.5 | PT020-WFK | 8-13 | 10 |
| GT020-8-10 | 2 | 4,400 | 3.32-8.00 | 6 | 48 | 73.5 | PT020-WFK | 8-13 | 10 |
| PT030-8 | 3 | 6,600 | 3.94-8.00 | 7 | 42 | 73.2 | PT030-WFK | 8-13 | 16.3 |
| GT030-8-10 | 3 | 6,600 | 3.94-8.00 | 7 | 42 | 86.2 | PT030-WFK | 8-13 | 16.3 |
| PT050-8 | 5 | 11,000 | 4.64-8.00 | 8 | 60 | 110.3 | PT050-WFK | 8-13 | 24.8 |
| GT050-8-10 | 5 | 11,000 | 4.64-8.00 | 8 | 60 | 123.3 | PT050-WFK | 8-13 | 24.8 |
| PT100-12 | 10 | 22,000 | 7.00-13 | 10 | 83 | 205 | NA | NA | NA |
| GT100-12-10 | 10 | 22,000 | 7.00-13 | 10 | 83 | 227 | NA | NA | NA |
| GT200-12 | 20 | 44,000 | 7.00-13 | 12 | 138 | 540 | NA | NA | NA |

Service & Accessories

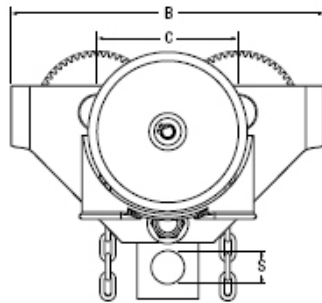
PT and GT Series Trolley

PT and GT Hook-On Trolley Dimensions (in.)

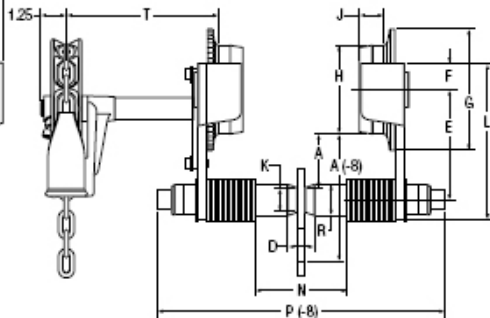
| Model no. | A | A(-8) | B | C | D | E | F | G | H | J | K | L | M | N | P | P(-8) | R | S | T |
|-------------|-------|-------|-------|-------|-------|------|-------|------|-------|------|------|------|------|-------|------|-------|------|------|------|
| PT005-8 | 2.63 | 5.88 | 10 | 4.5 | 1 | 4 | 1.13 | 3.5 | 2.06 | 0.75 | 0.75 | 6.63 | --- | 3.94 | --- | 12.25 | 1.25 | 1.56 | --- |
| PT010-8 | 2.5 | 5.94 | 13 | 5.19 | 1.25 | 4.44 | 1.56 | 4.19 | 2.75 | 0.75 | 1 | 6.94 | --- | 4.25 | --- | 12.88 | 1.5 | 1.56 | --- |
| GT010-8-10 | 2.5 | 5.94 | 13 | 5.19 | 1.25 | 4.44 | 1.56 | 4.19 | 2.75 | 0.75 | 1 | 6.94 | --- | 4.25 | --- | 12.88 | 1.5 | 1.56 | 7.81 |
| PT020-8 | 2.56 | 6.06 | 14.94 | 6.75 | 1.25 | 5.25 | 1.25 | 5.81 | 4.25 | 1.13 | 1.19 | 7.5 | --- | 4.31 | --- | 13.81 | 1.5 | 1.56 | --- |
| GT020-8-10 | 2.56 | 6.06 | 14.94 | 6.75 | 1.25 | 5.25 | 1.25 | 5.81 | 4.25 | 1.13 | 1.19 | 7.5 | --- | 4.31 | --- | 13.81 | 1.5 | 1.56 | 7.75 |
| PT030-8 | 2.56 | 7.88 | 14 | 6.38 | 1.56 | 5.5 | 1.56 | 5.75 | 4.5 | 1.13 | 1.44 | 8.56 | --- | 5.38 | --- | 14.13 | 1.94 | 2.56 | --- |
| GT030-8-10 | 2.56 | 7.88 | 14 | 6.38 | 1.56 | 5.5 | 1.56 | 5.75 | 4.5 | 1.13 | 1.44 | 8.56 | --- | 5.38 | --- | 14.13 | 1.94 | 2.56 | 8.06 |
| PT050-8 | 2.81 | 8.13 | 15.5 | 7.06 | 1.56 | 5.75 | 2.19 | 6.19 | 4.5 | 1.56 | 1.44 | 9.81 | --- | 6.63 | --- | 15.63 | 2.5 | 2.56 | --- |
| GT050-8-10 | 2.81 | 8.13 | 15.5 | 7.06 | 1.56 | 5.75 | 2.19 | 6.19 | 4.5 | 1.56 | 1.44 | 9.81 | --- | 6.63 | --- | 15.63 | 2.5 | 2.56 | 8.5 |
| PT100-12 | 11.79 | --- | 17.91 | 19.29 | 20.79 | 5.02 | 7.87 | 2.00 | 7.44 | 5.94 | 4.21 | 1.77 | 3.23 | 17.09 | 3.70 | --- | 1.00 | --- | --- |
| GT100-12-10 | 11.79 | --- | 17.91 | 19.29 | 20.79 | 5.02 | 7.87 | 2.00 | 7.44 | 5.94 | 4.21 | 1.77 | 3.23 | 17.09 | 3.70 | --- | 1.00 | --- | --- |
| GT200-12-10 | 10.47 | --- | 25.28 | 24.49 | 22.52 | 6.73 | 11.81 | 2.60 | 10.79 | 7.87 | 5.91 | 2.76 | 4.33 | 18.03 | 4.49 | --- | 4.92 | --- | --- |



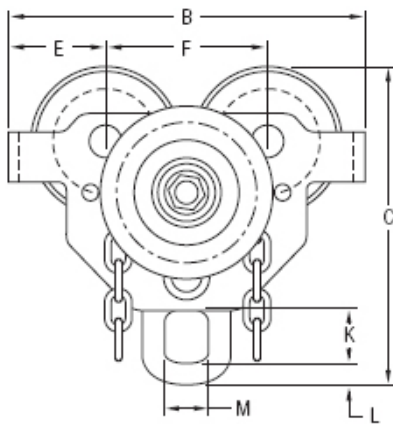
PT010 - PT050
plain trolley / without lug



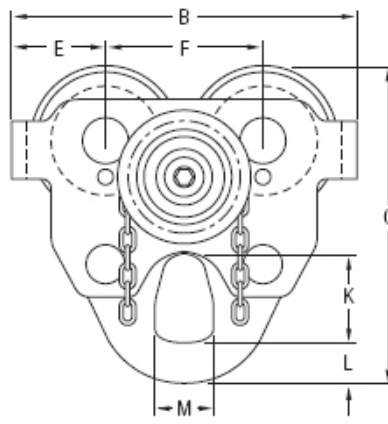
GT010 - GT050
geared trolley



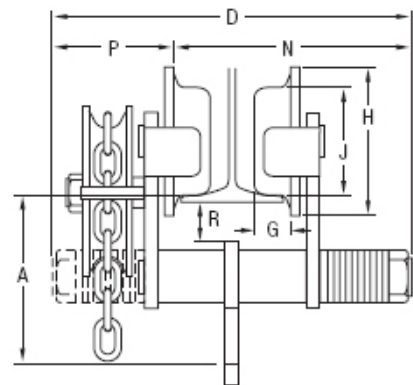
PT010 - PT050 & GT010 - GT050
plain & geared trolley



GT100
geared trolley



GT200
geared trolley



GT100 and GT200
geared trolley

Service & Accessories

Beam Clamps

1 – 10 metric ton Capacity

Beam Clamp features:

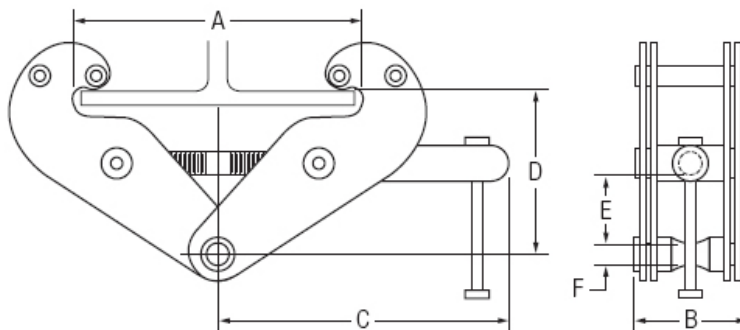
Beam Clamps provide a temporary or permanent mount to a wide range of tapered or flat beams. These units have been designed and verified, by actual pull testing, to achieve minimum design factor of 5:1 for vertical lifting with powered or manual hoist meeting ASME B30.16. Quick and simple installation is achieved by hand without tools. Units accommodate hook-mounted hoist or load blocks with minimal loss of headroom. The clamp jaws are designed to reduce beam stress by applying the load inside of the flange edge.

- Quick installation by hand.
- Low headroom design adjust to fit a wide range of flat or tapered beams.
- Meets ASME B30.16 for use with powered or manual hoists.
- Each unit is serialized, supplied with a test certificate and manual.
- Metric rated for vertical lifting at 2,200 lbs per ton.



BC Series Beam Clamp specifications and dimensions (in.)

| Model no. | Capacity metric tons | Weight lbs | Beam width | | | | | | |
|-----------|----------------------|------------|--|---------------------------------|---------------------------------|---|---------------------------------|---------------------------------|--|
| | | | A | B | C | D | E | F | |
| BC-1 | 1 | 4 | 2 ¹⁵ / ₁₆ - 9 ¹ / ₁₆ | 3 ³ / ₁₆ | 8 ³ / ₄ | 4 - 6 ⁵ / ₁₆ | 1 ¹ / ₈ | ¹³ / ₁₆ | |
| BC-2 | 2 | 5 | 2 ¹⁵ / ₁₆ - 9 ¹ / ₁₆ | 3 ⁵ / ₈ | 8 ³ / ₄ | 4 - 6 ⁵ / ₁₆ | 1 ¹ / ₈ | ⁷ / ₈ | |
| BC-3 | 3 | 9 | 3 ⁵ / ₃₂ - 12 ⁵ / ₈ | 4 ⁵ / ₈ | 10 ³ / ₄ | 6 ⁵ / ₈ - 9 ¹ / ₂ | 2 ⁷ / ₁₆ | ¹⁵ / ₁₆ | |
| BC-5 | 5 | 11 | 3 ⁹ / ₁₆ - 12 ⁵ / ₈ | 4 ¹³ / ₁₆ | 10 ³ / ₄ | 6 ⁵ / ₈ - 9 ¹ / ₂ | 2 ³ / ₈ | 1 ³ / ₁₆ | |
| BC-10 | 10 | 11 | 3 ⁹ / ₁₆ - 14 ³ / ₈ | 5 ¹⁵ / ₁₆ | 11 ¹ / ₆₄ | 6 ¹¹ / ₁₆ - 9 ¹ / ₄ | 1 ³¹ / ₃₂ | 1 ³⁷ / ₆₄ | |



Solutions

Special Orders

A significant portion of our business is providing customized solutions for specific applications. We recognize that not all jobs are created equal and that the most cost-effective solutions may not be in an off-the-shelf item. We've designed and manufactured winches and hoists for applications as simple as moving bags of lettuce, to as intricate as installing critical payloads on space vehicles.



Custom Levelwinds



ASME NUM1 Critical Load Handling Hoists



Electric Chain Hoists For Explosion Proof Environments



Waterfall Winch Systems



Electric Man Rider™ Winches



Clean Room Hoists

Winch & Hoist Checklist

Distributor _____ End User _____
 Contact Name _____ Phone/Email _____

Application Description

Equipment Type: Drum Winch Chain Hoist Wire Rope Hoist

Application: Pulling Lifting Dedicated Man-Riding Dual (Utility Lifting & Man-Riding)

Capacity: _____ lbs kg metric tons US tons

Distance: _____ ft meters Line Speed: _____ fpm m/min

Application Notes: _____

Power Supply & Controls

Air Pressure: _____ psi bar & Flow Capacity: _____ cfm m³/min

Control Type: Local Throttle Remote Full Flow Throttle Remote Pilot Pendant

Pendant Electric-over-Air Customer-Supplied

Elec Voltage: _____ VAC-3 ϕ VAC-1 ϕ VDC & Current Capacity: _____ amps

Control Type: Local (Enclosure Door-Mounted Pushbutton) Pendant Wall Mount

Remote Control Customer-Supplied

Hyd Pressure: _____ psi bar & Flow Capacity: _____ gpm l/min

Control Type: Local Throttle Remote Throttle Customer-Supplied

Controls Distance from Equipment (if applicable): _____ ft meters

Brakes & Auxiliary Holding Devices (Drum Winch Only)

Manual Band Auto Band Auto Disc Manual Drum Locking Pin Manual Pawl & Ratchet

Auto Pawl & Ratchet

Wire Rope (Drum Winch and Wire Rope Hoist Only)

Diameter: _____ inch mm

Type: Steel Stainless Galvanized Synthetic Factory-Spooled Customer-Supplied

Construction Requirements: _____

Length: _____ ft meters End Attachments: _____

Take-Off Angle (Drum Winch Only): _____

Hoist Suspension (Chain and Wire Rope Hoist Only)

Type: Hook Clevis Lug Motorized Trolley Geared Trolley Plain Trolley

Rack-Drive Trolley Deck Mount

Headroom Requirements: _____ inch mm

If Trolley, Beam Description/Size: _____ tapered flat patented (hardened)

If Power Trolley, Speed: _____ fpm m/min

Hoist Suspension Notes: _____

Equipment Options

General: Limit Switch Overload Limiter Low Temperature (Specify) EC Compliance
 Traceability Requirements (Specify) Type Approval (Specify)

Winches: Drum Guard Press Roller Drum Divider Drum Grooving Construction Cage
 Free-Spool Clutch Horizontal Load Reversing Manual Level Wind Underwound
 Automatic Level Wind (Accu-Spool) Constant Tensioning Manifold (excluding Electric)
 Slack Wire Protection Skid Frame

Hoists: Chain Container Trolley Bumpers Trolley Guide Rollers Bottom Block with Clevis
 Copper Plate S-COR-E Package Solid Bronze S-COR-E Package Hull Bumper

Air: Filter Lubricator Regulator Liquidator Muffler(s)

Elec: Dual Speed Motor Explosion-Proof (Specify) IEEE45/Marine Duty Motor Heater
 Variable Frequency Drive Variable Frequency Drive-Ready

Hyd: HPU (Specify) Filtration (Specify)

Equipment Option Notes: _____

Paint

Standard Sandblast w/ Zinc Primer Only Marine 812 Marine 812-X

Paint/Coating Notes: _____

Service Options

Extended Warranty Spare Parts Kit Service Start-Up/Training Support

Additional Information

Winch/Hoist Series Under Consideration: Force 5 Force 5 Infinity Force 5 3rd Generation
 Liftstar/Pullstar Fulcrum Hercu-Link Liftchain BU EU EBT
 Other, Specify: _____

Replacing Equipment (Make, Model): _____

Size Restrictions: _____ inch mm

Duty Cycle: _____ min/hr hrs/day %

Ambient Conditions (Temperature, Humidity, Elevation, etc): _____

Serving: _____ Industry

Additional Notes: _____

Office and distributors in principal cities throughout the world. Contact the nearest Ingersoll Rand office for the name and address of the distributor in your country or write to: Ingersoll Rand, 2724 6th Avenue South, Seattle, WA 98134-0046 USA.

United States Regional Sales Office

For Order Entry and Order Status:

Ingersoll Rand Customer Care

Phone: 866-207-6923 (Toll Free)
Or 800-IR-HOIST
Fax: 615-285-0802

For Technical Support:

Client Services

2724 Sixth Avenue South, Seattle, WA 98134
Phone: 206-624-0466
Fax: 206-624-6265
E-mail: WinchandHoistSolutions@irco.com

International

Ingersoll Rand Canada Inc.

51 Worcester Road, Toronto, Ontario M9W 4K2
Phone: 877-924-7435
Fax: 416-213-4510
Order Desk: 877-924-7435
Fax: 416-213-4506
(888) 422-2258 (Toll free)

Australia Ingersoll Rand Ltd.

Landmark Corporate Centre

45-47 Ventura Place
Dandenong South, Victoria 3175, Australia
Phone: 61-3-8787-4300
Fax: 61-3-8787-5510

Europe, Middle East and Africa

Ingersoll Rand Winch and Hoist Solutions

Douai Operations

529, Avenue Roger Salengro,
59450 SIN LE NOBLE, France
Phone: 33-3-27-93-08-08
Fax: 33-3-27-93-08-19
E-mail: dou_irep@eu.irco.com

Ingersoll Rand India

Ingersoll Rand Wadco Tools Pvt Ltd.
19, Chetak Apartments, Sheth Motisha Lane (Love Lane)
Mazagon, Mumbai 400010 India
Phone: 91-22-2370-4972/3/4/5
Fax: 91-22-2373-2326

México

Ingersoll Rand S.A. de C.V.
Boulevard Centro Industrial No. 11
Industrial Puente de Vigas
54070 Tlalnepantla, Estado de México
Phone: 52 (55) 85 03 66 00 ext. 6627 & 6628
Fax: 52 (55) 55 65 30 72
E-mail: mexicot&h@irco.com

Ingersoll Rand SEA Pte. Ltd.

42 Benoi Road, Jurong, Singapore 629903
Phone: 65-6861-1555
Fax: 65-6862-1373

China Ingersoll Rand Co.

10/F, Tower B, City Center of Shanghai,
No.100 Zun Yi Road,
Shanghai, 200051, P.R.C.
Phone: 86-21-5452 9898
Fax: 86-21-5410 1110

Brazil

Alameda Caiapós 311
Tamboré - Barueri - São Paulo - Brazil 06460-110
Phone: 55-11-2109 . 8950
Fax: 55-11-2109 . 8998

Authorized Distributor:



Ingersoll Rand Industrial Technologies provides products, services and solutions that enhance our customers' energy efficiency, productivity and operations. Our diverse and innovative products range from complete compressed air systems, tools and pumps to material and fluid handling systems and environmentally friendly micro-turbines. We also enhance productivity through solutions created by Club Car®, the global leader in golf and utility vehicles for businesses and individuals.