



LIFTCHAIN[®] Air Hoists

1 to 6 metric ton lifting capacity

Superior Uptime, Safe Operation

Reliable and robust Liftchain[®] hoists provide the right lifting package for your application. Available in both hook mount and trolley mount models, the cost-effective LC2A Series is fully customized for a system perfectly matched to your load and lift requirements. Liftchain hoists stand up to high duty cycles in harsh environments, while providing precision spotting control. CE-certified models are ATEX zone 2 rating (zone 1 optional) to ensure safety. All Liftchain hoists are built to resist dust, humidity and corrosive gases for reliable operation.

Reliable Operation

- **All steel construction** for better durability
- **Designed specifically for harsh environments**, including resistance to dust and humidity and 100% duty cycle operation
- **Grade 80 calibrated load chain** resists corrosion
- **High-starting torque gear-type air motor** offers precise spotting capability
- **Variable speed control** through pilot pendent or pull chain control

Enhanced Safety

- **Spark resistant design** ideal for potentially explosive atmospheres; classified as equipment category 3 for zone 2 applications per ATEX 2014/34/UE (optional zone 1 packages available)
- **No maintenance, self-adjusting automatic disc brake** fully enclosed for better protection
- **CE-certified models** include overload protection, emergency stop and built-in main air shut-off valve



Versatility

- **Numerous application-specific options available**, including chain containers (fabric or metallic) and rigid mounting trolleys (plain, geared or motorized)
- **Integrated upper and lower limit switch** allows hoist to be used in a horizontal position



Specifications

All specifications at 6.3 bar (90 psia) dynamic pressure at hoist air inlet (when hoist is running).

Working pressure range: 5-7 bar (70-100 psia).

Specifications													
Model number	Rated Capacity (T)	Falls of Load Chain	Lifting Speed at Rated Load (m/min)	Lifting Speed at No Load (m/min)	Lowering Speed at Rated Load (m/min)	Air Cons. at Rated Load (m ³ /min)	Air Inlet Size (BSP)	Sound Pressure ¹ (dbA)	Hoist Weight ² (kg)	Chain Size (mm)	Chain Weight/1 m Extra Lift (kg)	FEM/ISO Mechanical Classification ³	
LC2A010SI	1	1	7.0	11.0	8.5	4.0	3/4"	78	38	8 x 24	1.4	1 Am/M4	
LC2A015SI	1.5	1	6.2	11.0	8.5	4.0	3/4"	78	38	8 x 24	1.4	1 Bm/M3	
LC2A020DI	2	2	3.3	5.5	4.0	4.0	3/4"	78	48	8 x 24	2.8	1 Am/M4	
LC2A030DI	3	2	3.0	5.5	4.0	4.0	3/4"	78	48	8 x 24	2.8	1 Bm/M3	
LC2A030SI	3	1	4.0	6.4	5.0	4.0	3/4"	76	84	13 x 36	3.8	1 Am/M4	
LC2A040SI	4	1	3.9	7.0	4.5	5.2	1"	76	90	13 x 36	3.8	1 Bm/M3	
LC2A060QI	6	4	1.5	2.5	2.0	4.0	3/4"	78	74	8 x 24	5.6	1 Bm/M3	
LC2A060DI	6	2	1.9	3.2	2.5	4.0	3/4"	79	108	13 x 36	7.6	1 Am/M4	

(1) Sound pressure levels are measured per European Standard EN 14492-2.

(2) Weight with standard height of lift (3 m) and standard length of control (2 m).

(3) FEM/ISO mechanical classification for LC2A010S and LC2A020D is only 1 Bm/M3 when selecting stainless steel chain option.

Additional Trolley Mount Specifications										
Model Number	Rated Capacity (T)	Trolley Flange Adjustment for Standard Beam (mm)	Trolley Flange Adjustment for Wide Beam (mm)	Min. Inside Curve Radius (mm)	Hoist and Trolley Weight (kg) ^{(1) (2)}			Motorized Trolley Speed at Rated Load (m/min)	Trolley Air Cons. at Rated Load (m ³ /min)	Chain Size (mm)
					Plain Trolley (PU)	Geared Trolley (GU)	Motorized Trolley (HU)			
LC2A010SI	1	83 - 152	152 - 305	1,067	90	98	95	15	1	8 x 24
LC2A015SI	1.5	83 - 152	152 - 305	1,067	90	98	95	15	1	8 x 24
LC2A020DI	2	83 - 152	152 - 305	1,067	99	107	104	15	1	8 x 24
LC2A030DI	3	83 - 152	152 - 305	1,067	99	107	104	15	1	8 x 24
LC2A030SI	3	83 - 152	152 - 305	1,067	125	133	130	15	1	13 x 36
LC2A040SI	4	108 - 184	not applicable	1,524	183	191	188	12	1	13 x 36
LC2A060QI	6	108 - 184	not applicable	1,524	101	109	106	12	1	8 x 24
LC2A060DI	6	108 - 184	not applicable	1,524	211	219	216	12	1	13 x 36

(1) Weight with standard height of lift (3 m) and standard length of control (2 m).

(2) For PUW, GUW or HUW models, add 4 kg to the weight of standard beam model.

Trolley Options



PU Plain Trolley Option

These trolleys operate on a flat or tapered beam and are operated manually.



GU Geared Trolley Option

For more accurate load spotting, our geared trolleys are an excellent option.

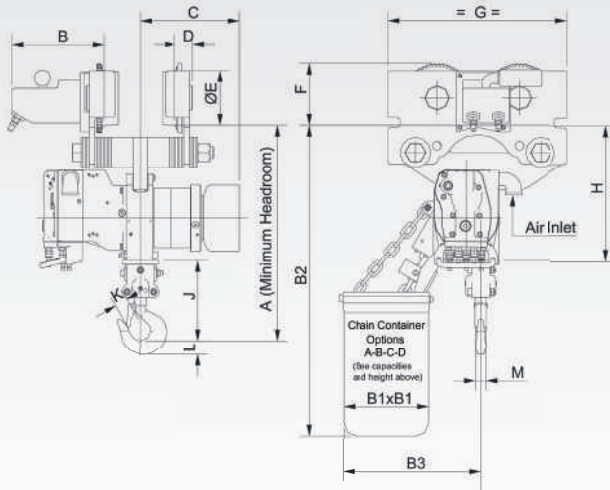


HU Motorized Trolley Option

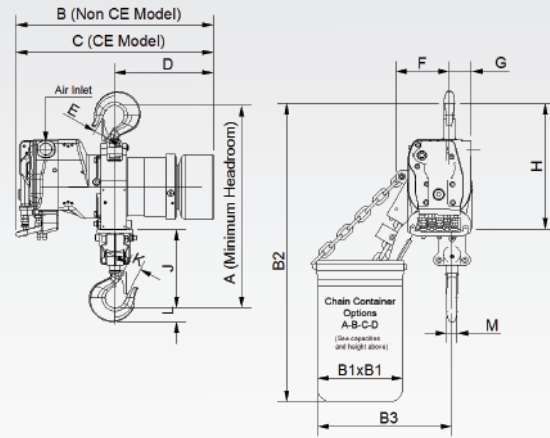
Increase load handling efficiency and speed with the use of a pendant throttle.

Liftchain Dimensions

Trolley Mount



Hook Mount



Dimensions

Trolley Mount	A	B	B1	B2	B3	C	D	ØE	F	G	H	J	K	L	M
LC2A010SIP	450	191	See Chain Container Chart			210	38	114	130	375	284	167	27	31	23
LC2A015SIP	450	191				210	38	114	130	375	284	167	27	31	23
LC2A020DIP	540	191				210	38	114	130	375	284	257	35	37	29
LC2A030DIP	540	191				210	38	114	130	375	284	257	35	37	29
LC2A030SIP	525	191				296	38	114	130	375	335	190	35	37	29
LC2A040SIP	560	208				300	97	178	198	491	370	190	35	37	29
LC2A060QIP	628	208				250	97	178	198	491	332	296	43	49	37
LC2A060DIP	743	208				296	97	178	198	491	370	373	53	60	43
Hook Mount	A	B	B1	B2	B3	C	D	ØE	F	G	H	J	K	L	M
LC2A010SIP	431	385	See Chain Container Chart			410	210	27	112	68	263	146	27	30	23
LC2A015SIP	431	385				410	210	27	112	68	263	146	27	30	23
LC2A020DIP	549	385				410	210	35	112	68	292	257	35	37	29
LC2A030DIP	549	385				410	210	35	112	68	292	257	35	37	29
LC2A030SIP	580	512				537	296	35	183	71	391	190	35	37	29
LC2A040SIP	580	580				606	300	35	183	71	391	190	35	37	29
LC2A060QIP	653	451				477	250	43	112	68	356	296	43	50	37
LC2A060DIP	807	512				534	296	53	140	115	434	373	53	60	43

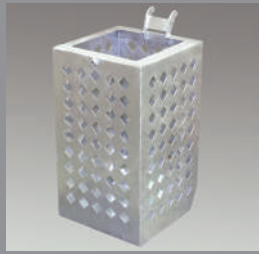
Chain Containers

Container Size		Option A			Option B			Option C			Option D		
Hoist Model	Chain Size	B1xB1	B2	B3	B1xB1	B2	B3	B1xB1	B2	B3	B1xB1	B2	B3
LC2A010SIP	8 x 24	180 x 180	650	290	230 x 230	750	340	315 x 315	850	425	310 x 310	1015	430
LC2A015SIP													
LC2A020DIP													
LC2A030DIP													
LC2A030SIP	13 x 36	230 x 230	790	380	315 x 315	890	465	310 x 310	1055	465	400 x 400	1095	555
LC2A040SIP			825	380		925	465		1090	465		1130	555
LC2A060QIP	8 x 24	180 x 180	700	260	230 x 230	800	310	315 x 315	900	495	315 x 315	1065	400
LC2A060DIP	13 x 36	230 x 230	825	335	315 x 315	925	420	310 x 310	1090	420	400 x 400	1130	510

How to Order Liftchain Hoists



Fabric chain container option



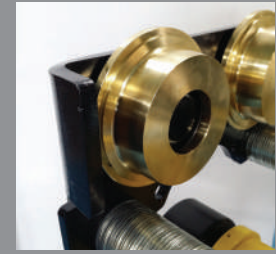
Metal chain container option



C hook mount option

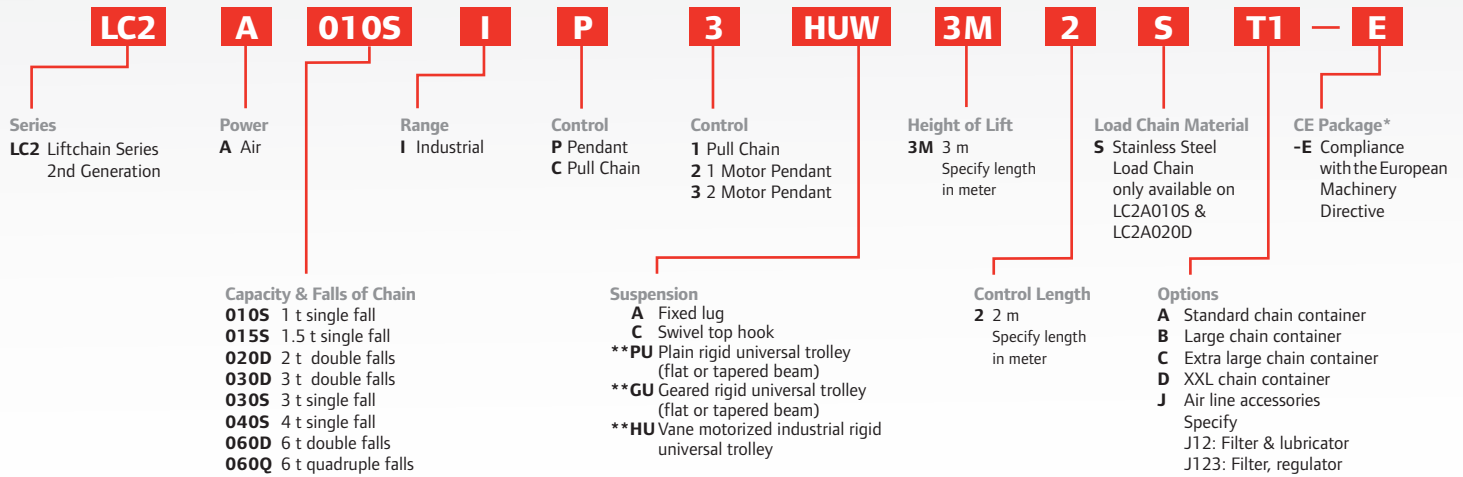


J123 FRL option



Spark-resistant bronze wheels

When ordering, please specify complete model code as shown.



* Liftchain CE marked models are compliant with the European Machinery Directive 2006/42/EC and the European Standard for Power Driven Hoists EN 14492-2. They are fitted with built-in overload protection, an emergency stop button on the pendant and built-in main air shut-off valve.

** Add the letter "W" for wide beam flange, available on PU, GU and HU (PUW, GUW, HUW) models only, from 1 to 3 metric ton.

*** T1 spark resistant option includes a cast iron pendant and bronze coated bottom hook assembly for the hoist, and solid bronze wheels for the trolley.

Our Authorized Service Network



Service kits are available for fast and cost-effective maintenance.

At Ingersoll Rand®, our global network of authorized service providers are extensively trained and meet strict criteria set for their facilities, testing capabilities and inventory levels. Authorized service distributors offer many benefits to you and your business. This includes:

- Expert on-site repair
- Start-up assistance
- Product operation and load testing
- Operation and preventative maintenance
- Annual inspections
- Full-unit overhaul and recertification



For More Information www.ingersollrandproducts.com/lifting lifting@irco.com

Ingersoll Rand (NYSE:IR) advances the quality of life by creating comfortable, sustainable and efficient environments. Our people and our family of brands—including Club Car®, Ingersoll Rand®, Thermo King® and Trane®—work together to enhance the quality and comfort of air in homes and buildings; transport and protect food and perishables; and increase industrial productivity and efficiency. We are a \$14 billion global business committed to a world of sustainable progress and enduring results.

For more information, visit www.ingersollrand.com.